

REVISION RECORD				
REV	ECN	DESCRIPTION	DRFT	DATE

DC4-HE - 01P - 1Y - 00A (H)
 (Series No.) (Poles) (Single Pitch) (Color):1.(Grey)
 2.(Blue) 3.(Black)
 4.(Green) 5.(Orange)
 6.(Red) 7.(Transparent)
 8.(Yellow) 9.(White)
 (RoHS)
 00A-(Standard)

NOTES1:

- UL Standard
 1.Rated voltage/current : 600V / 6.3A
 2.Withstanding voltage : AC2200V/1Min.
 3.Torque value : M3 , 4.43Lb.in
 4.Wire range : 20~10AWG

NOTES2:

- 1.Dimension shall be interpreted per ASME Y14.5-2009
 2.Stripping length : 9mm
 3.Operating temperature: -40°C~+105°C
 4.Undimensioned tolerances:

Pitch range in mm		Nominal dimension range in mm						0.1/10
TO	Over TO	Over TO	TO	Over TO	Over TO	Over TO	±2'	
6	6 TO 10	10 TO 24	30 TO 60	60 TO 100	100 TO 150	150		≤
	±0.15	±0.20	±0.30	±0.30	±0.50	±0.70	±1.00	

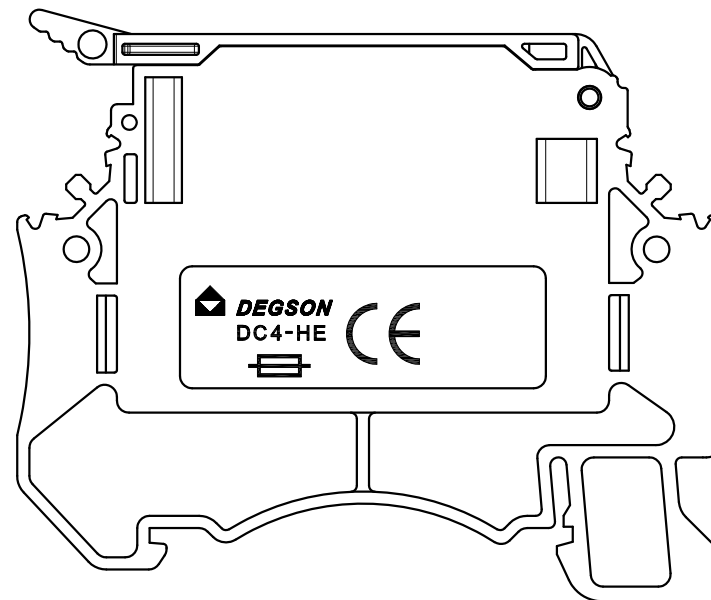
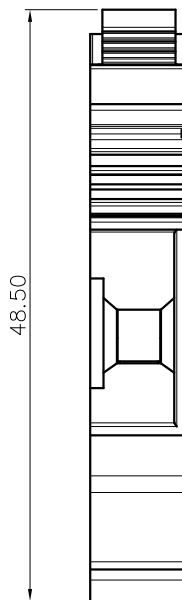
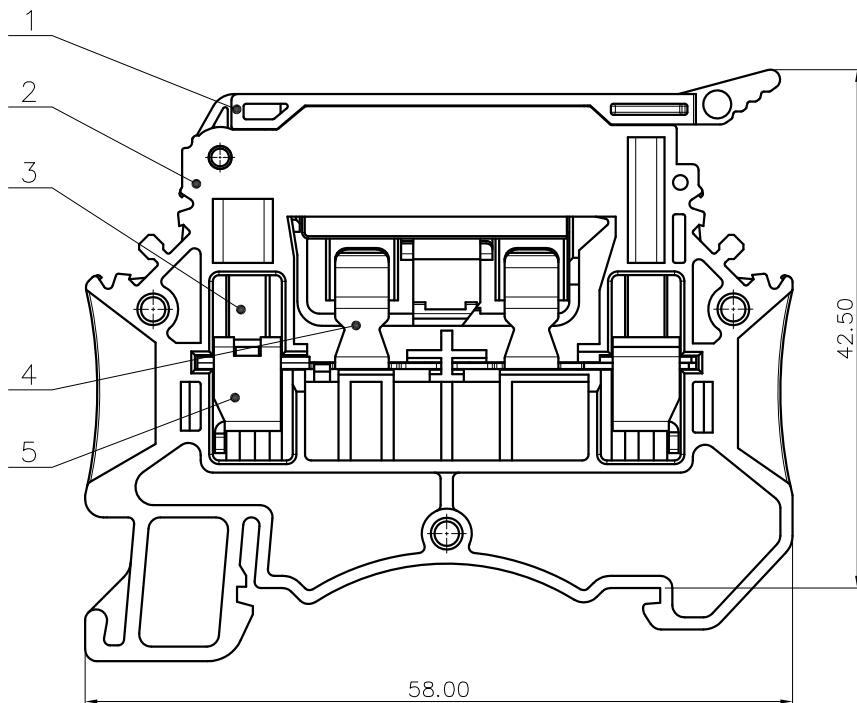
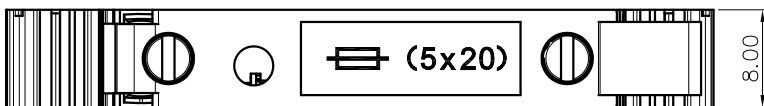
IEC Standard

1.

Pollution degree	3
Overvoltage category	III
Rate impulse voltage(KV)	6.0KV
Rate voltage(V)	500V
Rate current(A)	6.3A

- 2.Torque value : M3 , 0.5N·m
 3.Wire range : 0.5~4mm²,6mm²(sol)

5.RoHS Compliance



ITEM	NAME OF PART	MATERIAL	NOTES
5	Gage	Steel	M3/Zn plated
4	Clamp	Copper alloy	Sn plated
3	Screw	Steel	M3/Zn plated
2	Body Housing	PA66	UL94V-0
1	Fuse Housing	PA66	UL94V-0

PART NO.: /		宁波高松电子有限公司 NINGBO DEGSON ELECTRICAL CO., LTD	
APPD:	NAME: DC4-HE-01P-1Y-00A(H)		
CHKD:	TITLE: CUSTOMER DRAWING		
DRFT: HS 2018.07.31	REV	D0	
THIRD ANGLE PROJECTION	DRAWING NO.: DC4-HE-C01	SHEET	1/1
	DO NOT SCALE DRAWING	SCALE	1:1