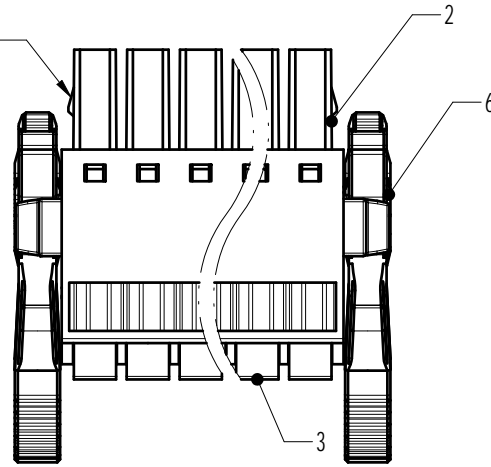


Transfer or duplication of this document as well as the utilization or communication of its contents for purposes other than those specified in the title is prohibited. All rights reserved for patent, utility model or design registrations. 非经书面授权, 复制或转授、复制、利用、交加本文件的内容, 侵犯者将负法律责任。 侵权者将负法律责任。 侵权者将负法律责任。 侵权者将负法律责任。

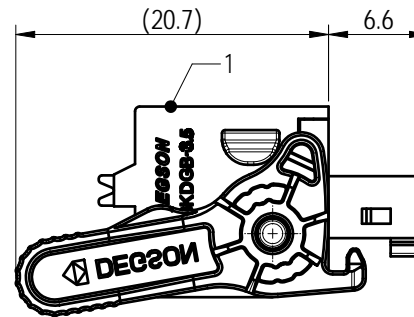
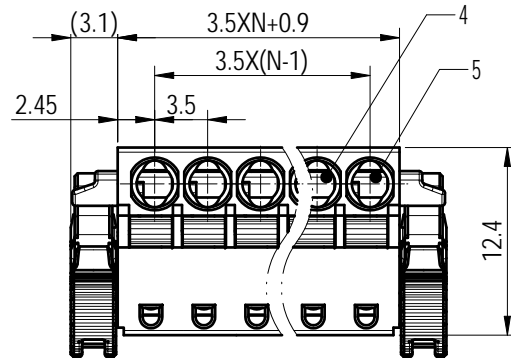
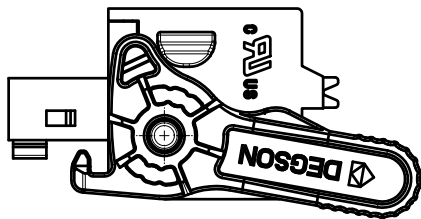
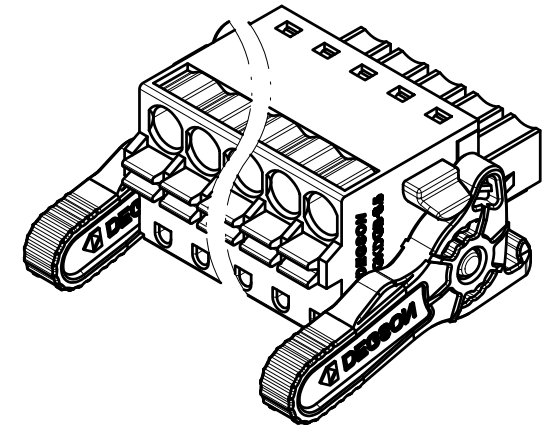
未注公差/General tolerances(mm)													
0	>3	>6	>10	>18	>30	>50	>80	>120	>180	>250	>315	>400	0.1/10 ±2'
~3	~6	~10	~18	~30	~50	~80	~120	~180	~250	~315	~400	~500	
±0.12	±0.18	±0.22	±0.26	±0.31	±0.37	±0.57	±0.80	±0.93	±1.05	±1.15	±1.60	±2.20	±2.50

02-06P with clip point
07-12P without clip point



UL 标准/UL Standard:	B	C	D
额定电压/电流/Rated Voltage(V)/Current(A)	300/8	300/8	300/8
IEC 标准/IEC Standard:			
过压类别/Overvoltage Category/污染等级/Pollution Degree	III/3	III/2	II/2
额定电压/电流/Rated Voltage(V)/Current(A)	250/12	/	/
额定脉冲电压(KV)/Rate Impulse Voltage(KV)	2.5	/	/
线径范围/硬线和软线/Wire Range(rigid and flexible)(AWG/mm ²)	26~16 / 0.2~1.5		
间距/Pitch(mm)/线数范围/Poles	3.5/N=02~12P		
剥线长度/Stripping length(mm)	9		
使用温度范围/Operating temperature(°C)	-40~+105		
符合 RoHS 环保要求/Conform to RoHS	Yes		

Please refer to the 3D model for those unmarked dimensions



6	Card hook	PA66-GF	UL94V-0
5	Spring	Stainless steel	/
4	Clamp	Copper alloy	Sn Plated
3	Button	PA66-GF	UL94V-0
2	Cover	PA66	UL94V-0
1	Housing	PA66	UL94V-0
ITEM	NAME OF PART	MATERIAL	NOTES

		MATERIAL: -	SURFACE/COLOR: -	
		MAT NO./REV: -	/ 02 MAT STATUS: 批量	
APPD: 兰春华	2022.07.14	NAME		
CHKD: 陈招	2022.07.13	15EDGKDBG-3.5-XXP-1Y-00A(H)		
DRFT: 岑凯	2022.07.13	DRAWING NO.	TYPE	DRAWING STATUS
		200025161	CUSTOMER DRAWING	已发布
SCALE	SHEET			
2:1	1/1			

REV	ECN	DESCRIPTION	DRFT	DATE
00		1X初版发行	岑凯	2022.07.13