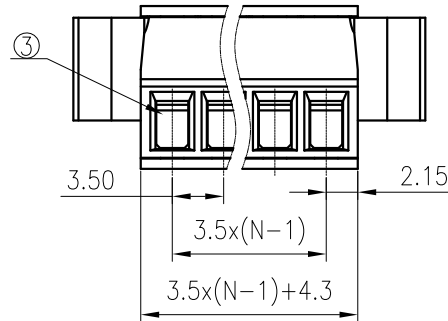
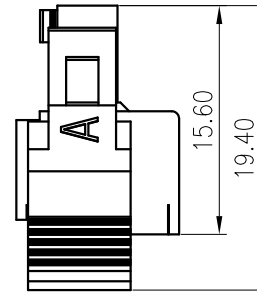
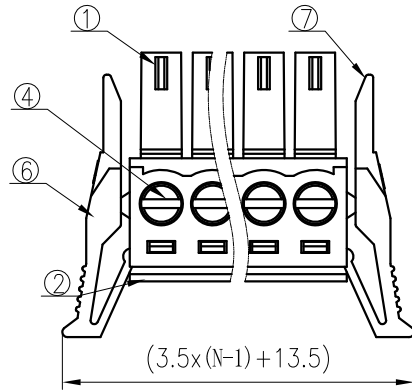
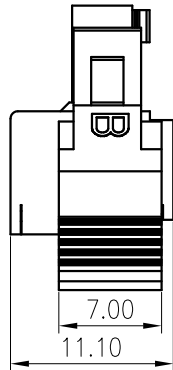


未注公差/General tolerances(mm)												0.1/10		
0	>3	>6	>10	>18	>30	>50	>80	>120	>180	>250	>315		>400	>500
~3	~6	~10	~18	~30	~50	~80	~120	~180	~250	~315	~400	~500	~2.20	~2.50
±0.12	±0.18	±0.22	±0.26	±0.31	±0.37	±0.57	±0.80	±0.93	±1.05	±1.15	±1.60	±2.20	±2.50	±2'

Transfer or duplication of this document as well as the utilization or communication of its contents are prohibited unless explicit authorization is granted. Violations will be liable for compensation. All rights reserved for patent, utility, model or designs registrations. 除非给予明确授权,否则禁止转让、复制、利用、交流本文件的内容。侵犯者须承担赔偿责任。本公司保留对涉及发明、实用新型和外观设计的所有权利。



7	Housing-3	PA66	UL94V-0
6	Housing-2	PA66	UL94V-0
5	Clamp	Copper Alloy	Sn Plated
4	Screw	Copper Alloy	Sn Plated
3	Cage	Copper Alloy	M2/Ni Plated
2	Cover	PA66	UL94V-0
1	Housing-1	PA66	UL94V-0

ITEM	NAME OF PART	MATERIAL	NOTES
JL 标准/UL Standard:		B	C
额定电压/电流/Rated Voltage(V)/Current(A)		300/8	7
IEC 标准/IEC Standard:		D	
过压类别/Overvoltage Category/污染等级/Pollution Degree		II/2	
额定电压/电流/Rated Voltage(V)/Current(A)		250/7	
额定脉冲电压(KV)/Rate Impulse Voltage(KV)		2.5	
螺丝扭矩/Torque Tightening(N·m/Lb.in)		M2, 0.2/1.7	
线径范围(硬线和软线)/Wire Range(rigid and flexible)(mm ² /AWG)		0.5~1.5/28~16	
间距/Pitch(mm)/线数范围/Poles		3.5/N=02-22P	
剥线长度/Stripping length(mm)		6~7	
使用温度范围/Operating temperature(°C)		-40~+105	
符合RoHS环保要求/Conform to RoHS		Yes	

MATERIAL:		SURFACE:	
MAT NO.:	宁波高松电子有限公司		
STATUS: /	NINGBO DEGSON ELECTRICAL CO., LTD		
APPD:	NAME: 15EDGKG-3.5-XXP-1Y-2000A(H)		
CHKD: ZYH 2022.05.31	DRAWING NO.: 10005984		
DRFT: RSS 2022.05.31	REV	D0-1	
SIZE: A4	TYPE: CUSTOMER DRAWING	SCALE: 2:1	SHEET 1/1

REV	ECN	DESCRIPTION	DRFT	DATE