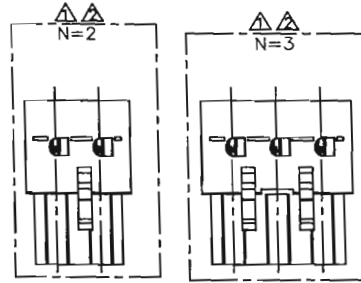
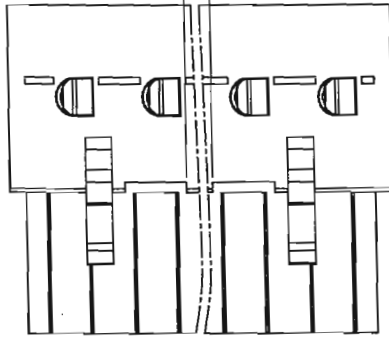
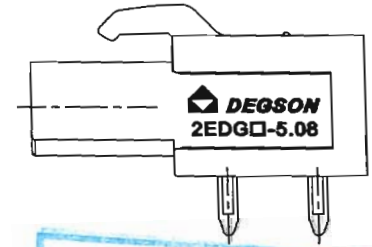
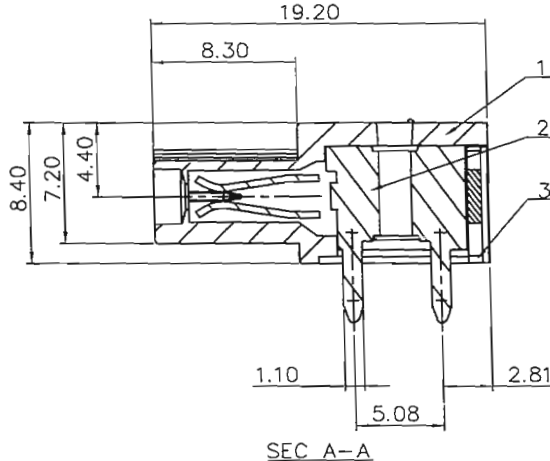
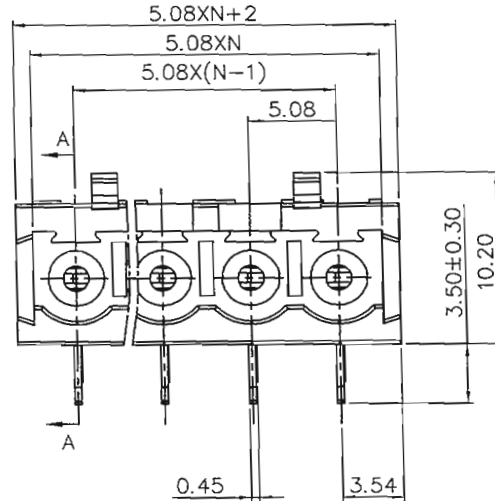


REVISION RECORD				
REV	ECN	DESCRIPTION	DRFT	DATE
△	11-0188	增加文字说明	HARRY	07/15/11*
△	14-0241	实物与图面不符及修改电气参数	GZJ	08/05/14*

△ 5.08X(N-4)+1.48 (N>3)



SCALE: 1/2



文管中心  
研发专用  
2014.08.20

ITEM	NAME OF PART	NO. OF PART	Q'TY	MATERIAL	NOTES
3	2EDGA/B-5.08-Cover	1208COYXXA(H)	1	PA66	UL94V-0
2	2EDGA-Clamp	1208B00010(H)	XX	Phosphor bronze	Sn Plating
1	2EDGA/B-5.08-Housing	1208A0YXXA(H)	1	PA66	UL94V-0

NOTES:  
 1. DIMENSION SHALL BE INTERPRETED PER ASME Y14.5-2009.  
 2. PITCH: 5.08MM, POLES: N=2-24P  
 3. RATED VOLTAGE/CURRENT: UL300V/15A △ IEC320V/20A  
 4. OPERATION TEMPERATURES: -40°C~+105°C  
 5. RATED IMPULSE VOLTAGE: 4.0KV  
 6. INSULATION RESISTANCE: 5000MΩ/DC1000V  
 7. UNDIMENSIONED TOLERANCES:

PITCH RANGE IN MM		NOMINAL DIMENSION RANGE IN MM							
TO	OVER	OVER	TO	TO	TO	TO	TO	OVER	
6	6	10	10	30	60	100	150	150	□
±0.10	±0.15	±0.25	±0.20	±0.30	±0.50	±0.70	±1.00	0.05/10	

DETTACHED LISTS

MATERIAL: **DEGSON** 宁波高正电子有限公司  
DEGSON ELECTRONICS CO., LTD

FINISH: **DEGSON** 2EDGA-5.08-XXP-1Y-00A(H)

PART NO.: TITLE: ASSEMBLY DRAWING

CHKD: APPD: *Jean 8/27/14* DRAWING NO.: 2EDGA-5.08-E01 REV T2

THIRD ANGLE PROJECTION DRFT: Apple 06/24/08" DO NOT SCALE DRAWING SCALE 1:1 SHEET 1/1