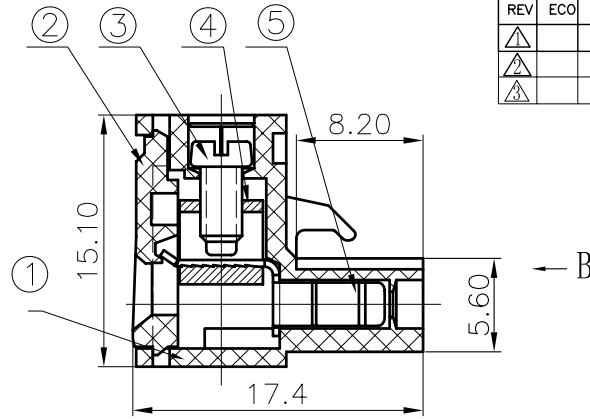


|   |                     |                |    |                |                     |
|---|---------------------|----------------|----|----------------|---------------------|
| 5 | 2EDG Clamp          | 1005B00010 (H) | XX | Phospor bronze | Ni plated           |
| 4 | DG128 Brass cage    | X00000020 (H)  | XX | Brass          | Ni plated           |
| 3 | 2EDG“-” Screws-M2.5 | S000001370 (H) | XX | Steel          | Cr <sup>3+</sup> Zn |
| 2 | 2EDGK-7.62-Cover    | 1006COYXXA (H) | 1  | PA66           | UL94V-0             |

| REVISION RECORD |     |               |      |          |  |
|-----------------|-----|---------------|------|----------|--|
| REV             | ECO | DESCRIPTION   | DRFT | DATE     |  |
| △               |     | Drawing emend | WF   | 12/31/05 |  |
| △               |     | 修改图面          | CSX  | 05/04/07 |  |
| △               |     | 增加VDE、CE认证标志  | LJH  | 01/14/08 |  |



SECTION A-A

Notes:

- Pitch: 7.62mm Poles:2-12p
- Rated voltage/current:UL 300V/15A  
VDE 400V/20A
- Insulation resistance: 5000MΩ/1000V
- Withstanding voltage: AC1500V/1Min
- Wire range: 28-12AWG 2.5mm<sup>2</sup>
- Temp. Range: -40° C~+105° C
- Torque: 4.08kgf.cm (3.61lb.in)
- Undimensioned Tolerances:

| Pitch range in mm |       | Nominal dimension range in mm |      |      |      |                    |
|-------------------|-------|-------------------------------|------|------|------|--------------------|
| to                | over  | to                            | over | to   | over |                    |
| 6                 | 6     | 10                            | 30   | 60   | 100  | 150                |
| 6                 | 10    | 24                            | 30   | 60   | 100  | 150                |
| ±0.10             | ±0.15 | ±0.25                         | ±0.2 | ±0.3 | ±0.5 | ±0.7 ± 1.0 0.05/10 |

| 1                          | 2EDGK-7.62-Housing | 1006A0YXXA (H) | 1              | PA66  | UL94V-0 |
|----------------------------|--------------------|----------------|----------------|---|---------|
| ITEM                       | NAME OF PART       | NO. OF PART    | Q"TY           | MATERIAL  | NOTES   |
|                            | MM (INCH)          | DFTO DZJ       | DATE 09/26/05" | 宁波高正电子有限公司<br>DEGSON ELECTRONICS CO., LTD<br>NAME: 2EDGK-7.62-XXP-1Y-00A(H)<br>DRAWING NO. 2EDGK-7.62-E05<br>/PART NO.<br>SIZE A3<br>REV T3<br>dt/14/08 |         |
| TOLERANCES EXCEPT AS NOTED |                    | CHKD           | DATE           |   |         |
| MM                         |                    | MFO            | DATE           |   |         |
| .0 ±                       |                    | APPVL          | DATE           |   |         |
| .00 ±                      |                    | MATERIAL :     |                |   |         |
| .000 ±                     |                    | G.E. :         |                |   |         |
| ANGLES ± 1°                |                    | FINISH :       |                |   |         |
| THIRD ANGLE PROJECTION     |                    | SCALE : 1:1    |                | DO NOT SCALE DRAWING SHEET 1 OF 1   |         |