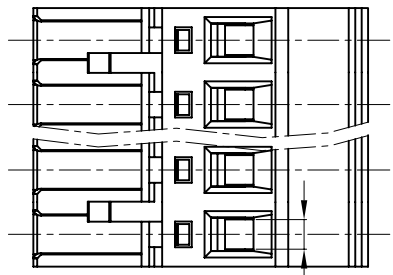
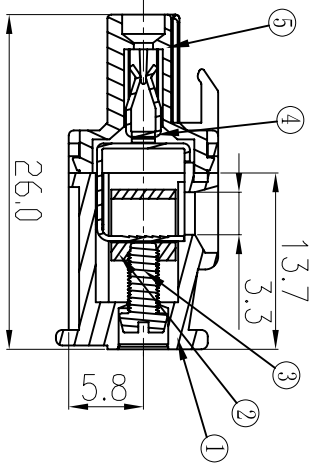
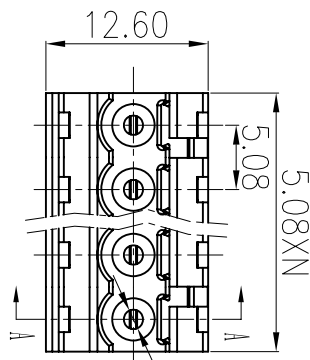
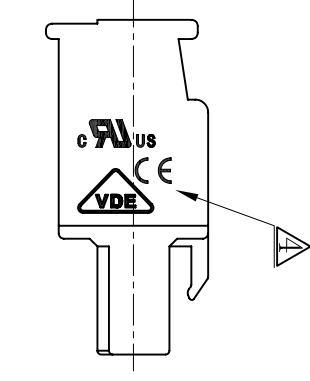
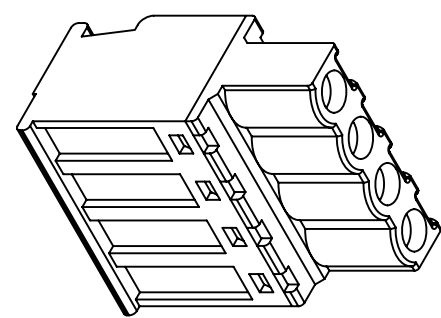


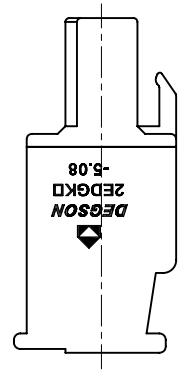
REVISION RECORD			
REV	ECO	DESCRIPTION	DATE
△		Drawing amend	04/18/06*
△		工程变更	11/30/06*
△		增加U型字	03/12/07*
△		增加VDE、CE字样	02/10/09*



2.3



Section B-B



- Notes:
1. Pitch: 5.08mm, Poles: 2-24P
 2. Rated voltage/current: UL 300V/15A VDE 320V/10A
 3. Operation temperatures: -45°C ~ +105°C
 4. Withstanding Voltage: AC2000V/1Min
 5. Insulation Resistance: 5000 Ω / DC10000V
 6. Wire Range: 28 ~ 12AWG, 2.5mm²
 7. Max. Torque Value: M2, 5, 4, 08kgf.cm
 8. Undimensioned Tolerances:

Pitch range in mm	Normal dimension range in mm
over 6 to 10	over 30 to 60
over 10 to 15	over 60 to 100
over 15 to 24	over 100 to 150
±0.10	±0.2
±0.15	±0.3
±0.25	±0.5
±0.7	±1.0
±0.05/0.10	—

5	2EDGKA/B-5.08(H) COVER	1028C0YXXA (H)	1	PA66	UL94V-0
4	2EDGKA/B-CLAMP	1028B0010 (H)	XX	Phosnor Bronze	Ni plated
3	2EDG "—" SCREW-M2.5	S000000980 △	XX	Stel1	Cr ³⁺ Zn
2	DG128 CAGE	X000000020 (H)	XX	Brass	Ni plated

DETACHED LISTS		SCALE :							
ITEM	NAME OF PART	NO. OF PART	Q'TY						
1	2EDGKA/B-5.08(H) HOUSING	1028A0YXXA (H)	1						
MATERIAL		NOTES							
PA66		UL94V-0							
<table border="1"> <tr> <td>DATE</td> <td>10/06/05*</td> </tr> <tr> <td>DATE</td> <td></td> </tr> <tr> <td>DATE</td> <td></td> </tr> </table>				DATE	10/06/05*	DATE		DATE	
DATE	10/06/05*								
DATE									
DATE									
NAME		DRAWING NO. 2EDGKA-5.08-E03							
DEGSON		/PART NO. A3							
宇波高压电子有限公司		SIZE REV 14							
DEGSON ELECTRONICS CO., LTD		REV 14							
		02/12/09*							
DO NOT SCALE DRAWING		SHEET 1 OF 1							

8 7 6 5 4 3 2 1