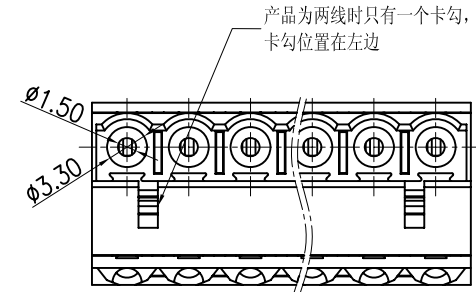
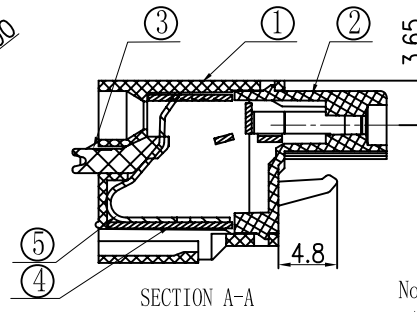
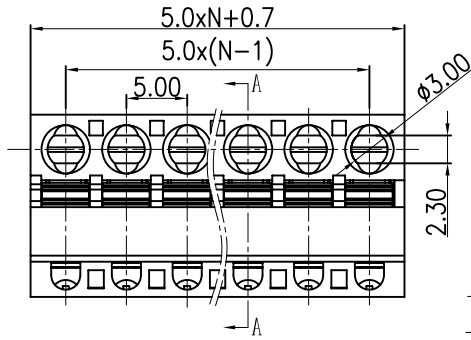
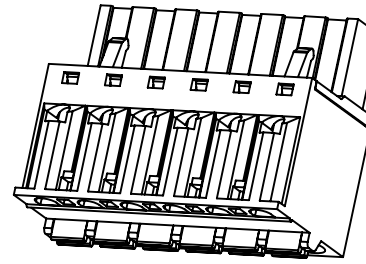
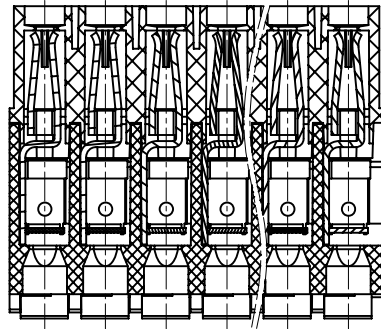


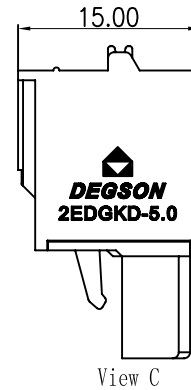
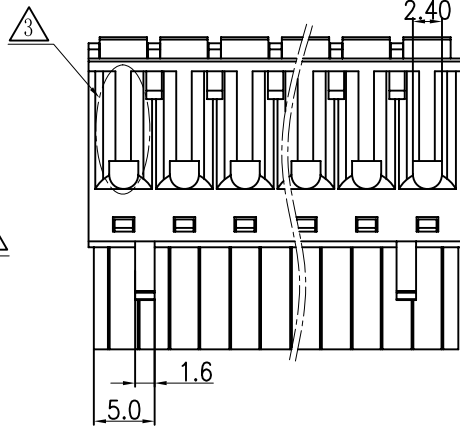
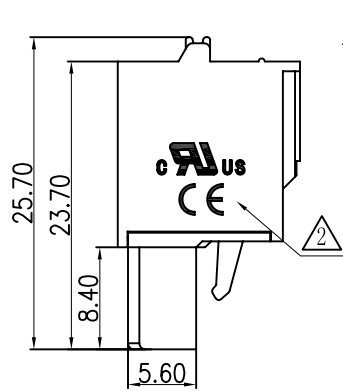
REVISION RECORD				
REV	ECO	DESCRIPTION	DRFT	DATE
△		图面整理	Apple	04/07/08
△		增加UL刻字	Zengy	01/06/10
△	0-0270	修改外型	Golden	08/20/10
△	10-003	弹片由X000001320变更为X00004810	Apple	09/30/10



Notes:

1. Pitch: 5.0mm , Poles: 2-24P
2. Rated voltage/current: UL 300V/10A  
IEC 250V/20A
3. Operation temperatures: -40°C ~ +105°C
4. Withstanding Voltage: AC2500V/1min
5. Insulation Resistance: 5000MΩ / DC1000V
6. Wire Range: 26~12AWG, 2.5mm<sup>2</sup>
7. Undimensioned Tolerances:

Pitch range in mm		Nominal dimension range in mm					
to 6	over 6 to 10	over 10 to 24	over 30 to 60	over 60 to 100	over 100 to 150	over 150	—
±0.10	±0.15	±0.25	±0.2	±0.3	±0.5	±0.7	±1.0



NO.	DESCRIPTION	PART NO.	QTY	MATERIAL	REMARKS
5	2EDGKDF-5.08-Spring	X000004810 (H)	XX	Stainless steel	
4	2EDGKD-5.08-Clamp	1085B00010 (H)	XX	Phosphor bronze	SnCe
3	2EDGKD-5.08-Button	1085D0501A (H)	XX	PA66	UL94V-0
2	2EDGKD-5.0-Cover	1055C0YXXA (H)	1	PA66	UL94V-0

1	2EDGKD-5.0-Housing	1055A0YXXA (H)	1	PA66	UL94V-0
ITEM	NAME OF PART	NO. OF PART	Q"TY	MATERIAL	NOTES
TOLERANCES EXCEPT AS NOTED		DATE 10/20/06"	DEGSON 宁波高正电子有限公司 DEGSON ELECTRONICS CO., LTD		
MATERIAL :		DATE	NAME 2EDGKD-5.0-XXP-1Y-00A(H)		
ANGLES ± 1°		APPVL	DRAWING NO. 2EDGKD-5.0-E01		
FINISH :		DATE	/PART NO.		
THIRD ANGLE PROJECTION		SCALE : 1:1	DO NOT SCALE DRAWING		
			SHEET 1		REV T4 09/30/10