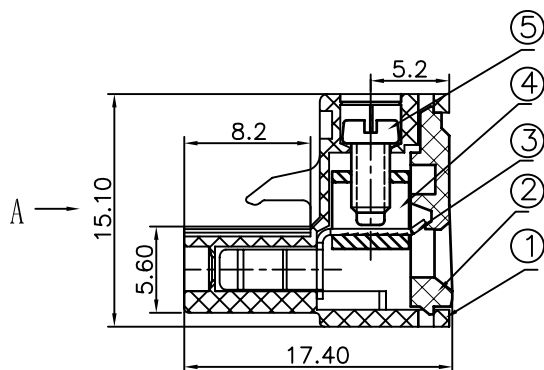
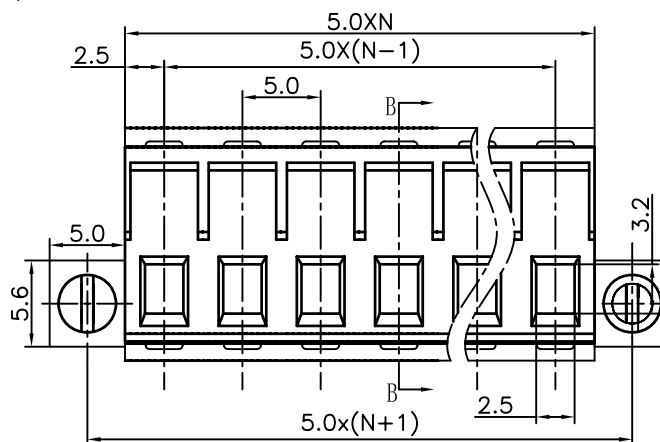
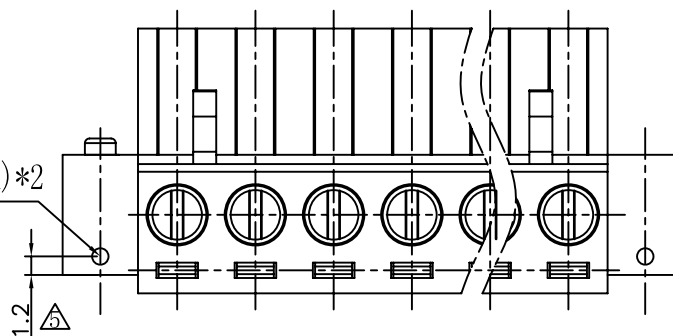
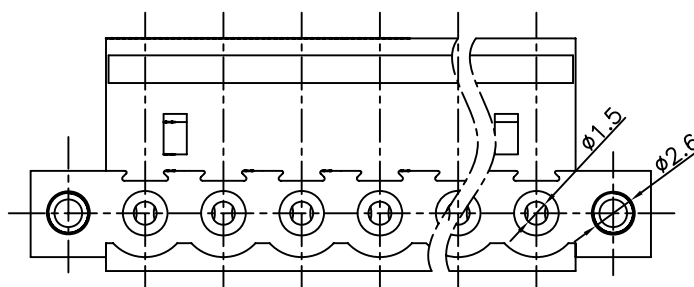
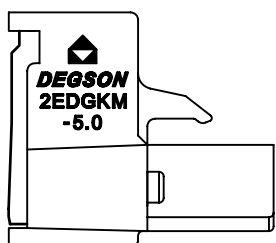


REVISION RECORD					
REV	ECO	DESCRIPTION	DRFT	DATE	
△		根据螺丝全图改为横置白锌的螺丝, 螺丝料号由S0000020变更为S00001370	CSX	07/13/05*	
△		Drawing revise	csx	04/05/06*	
△		1006COYXXA→1016COYXXA	YeJ	11/29/06*	
△		增加VDE、CE刻字	YeJ	02/25/08*	
△		增加防脱卡点位置尺寸标注	WLM	02/06/09*	

Drill hole
(Max $\varnothing 0.8 \times 1.2\text{mm}$)*2



SECTION B-B

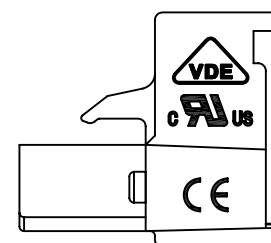


VIEW A

Notes:

- Pitch: 5.0mm, Poles: 2-24P
- Rated voltage/current: UL 300V/15A
VDE 320V/20A
- Operation temperatures: $-45^{\circ}\text{C} \sim +105^{\circ}\text{C}$
- Withstanding Voltage: AC2000V/1min
- Insulation Resistance: $5000\ \Omega / \text{DC}1000\text{V}$
- Wire Range: 28~12AWG, 2.5mm²
- Max. Torque Value: M2.5, 4.08kgf.cm
- Undimensioned Tolerances:

Pitch range in mm		Nominal dimension range in mm						
	over 6	over 10	over 30	over 60	over 100	over 150	∩	
to 6	to 10	to 24	to 30	to 60	to 100	to 150	∇	
± 0.10	± 0.15	± 0.25	± 0.2	± 0.3	± 0.5	± 0.7	± 1.0	0.05/10



ITEM	NAME OF PART	NO. OF PART	Q"TY	MATERIAL	NOTES
5	2EDG"—"Screw-M2.5	S000001370 (H)	XX+2	Steel	Cr ³⁺ Zn
4	DG128 Brass Cage	X000000020 (H)	XX	Brass	Ni plated
3	2EDG Contact	1005B00010 (H)	XX	Phoshor Bronze	Ni plated
2	2EDGK-5.0-Cover	1016COYXXA (H)	1	PA66	UL94V-0

1	2EDGKM-5.0-Housing	1020A0YXXA (H)	1	PA66	UL94V-0
ITEM NAME OF PART		NO. OF PART	Q"TY	MATERIAL	NOTES
TOLERANCES EXCEPT AS NOTED		DFTO Zhuwm DATE 07/24/04			
MM (INCH)		CHKD DATE			
MM		MFO DATE			
.0 ±		APPVL DATE			
.00 ±		MATERIAL :			
.000 ±		G.E. :			
ANGLES ± 1'		FINISH :			
THIRD ANGLE PROJECTION		SCALE : 1:1			
DETAILED LISTS		NAME			
		2EDGKM-5.0-XXP-1Y-00A (H)			
		DRAWING NO. 2EDGKM-5.0-E01		SIZE A3	REV T5 02/06/09*
		/PART NO.		DO NOT SCALE DRAWING	
		SHEET 1		OF 1	