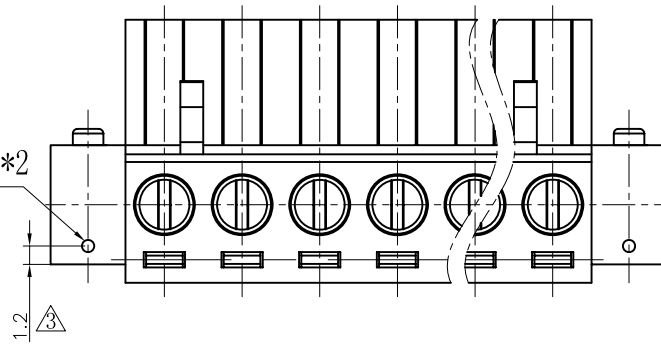


REVISION RECORD					
REV	ECO	DESCRIPTION	DRFT	DATE	
△		图面更新	CSX	04/17/06*	
△		增加VDE、CE刻字	Ye.j	02/25/08	
△		增加防脱卡点位置尺寸标注	WLM	02/06/09*	

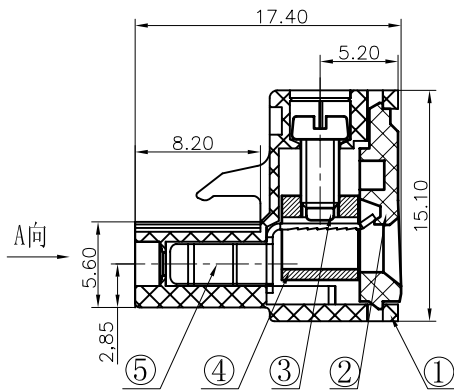
Drill hole  
(Max  $\varnothing 0.8 \times 1.2\text{mm}$ )\*2



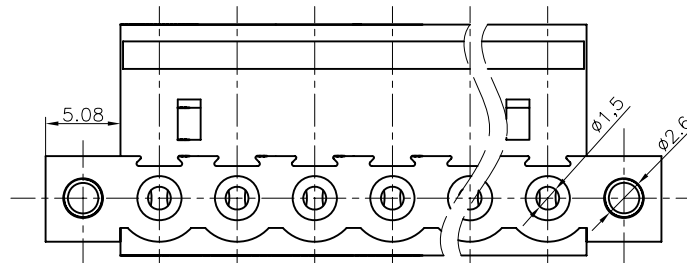
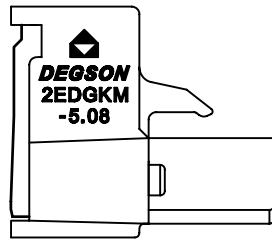
Notes:

1. Pitch: 5.08mm, Poles: 2-24P
2. Rated voltage/current: UL 300V/15A  
VDE 320V/20A
3. Operation temperatures:  $-45^{\circ}\text{C} \sim +105^{\circ}\text{C}$
4. Withstanding Voltage: AC2000V/1min
5. Insulation Resistance:  $5000 \Omega / \text{DC}1000\text{V}$
6. Wire Range: 28~12AWG, 2.5mm<sup>2</sup>
7. Max. Torque Value: M2.5, 4.08kgf.cm
8. Undimensioned Tolerances:

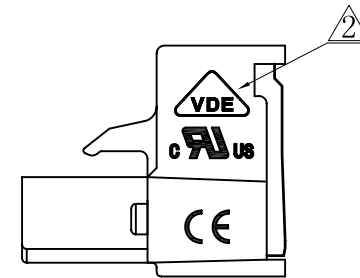
Pitch range in mm		Nominal dimension range in mm					
to	over	to	over	to	over		
6	6 to 10	10 to 24	30 to 60	60 to 100	100 to 150	150	
±0.10	±0.15	±0.25	±0.2	±0.3	±0.5	±0.7	
						±1.0	
						0.05/10	



SECTION B-B



VIEW A



5	2EDG-Clamp	1005B00010 (H)	XX	Phospor Bronze	Ni plated
4	DG128 Brass cage	X00000020 (H)	XX	Brass	Ni plated
3	2EDG"-Screws-M2.5	S000001370 (H)	XX+2	Steel	Cr <sup>3+</sup> Zn
2	2EDGK-5.08-Cover	1005COYXXA (H)	1	PA66	UL94V-0

ITEM	NAME OF PART	NO. OF PART	Q'TY	MATERIAL	NOTES
1	2EDGKM-5.08-Housing	1011A0YXXA (H)	1	PA66	UL94V-0

← MM (INCH) →	DFTO DZJ	DATE 10/15/05*
TOLERANCES EXCEPT AS NOTED	CHKD	DATE
	MFO	DATE
	APPVL	DATE
MM	±	
.0 ±	±	
.00 ±	±	
.000 ±	±	
ANGLES ± 1°	G.E :	
THIRD ANGLE PROJECTION	FINISH :	
	SCALE : 1:1	

宁波高正电子有限公司 DEGSON ELECTRONICS CO., LTD	
NAME 2EDGKM-5.08-XXP-1Y-00A(H)	
DRAWING NO. 2EDGKM-5.08-E04	SIZE A3
/PART NO.	REV T3
	02/06/09*
DO NOT SCALE DRAWING	SHEET 1 OF 1