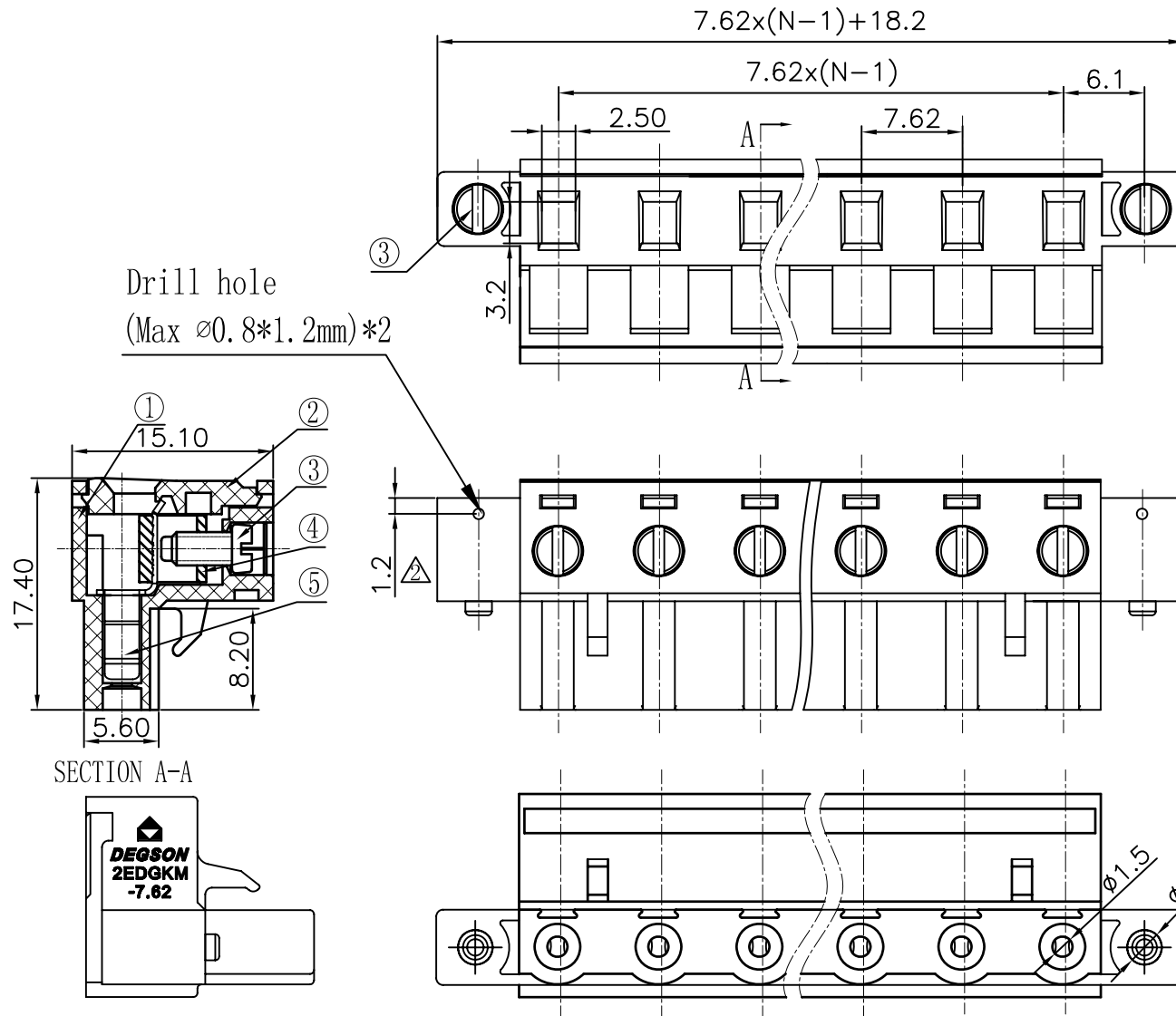


REVISION RECORD				
REV	ECO	DESCRIPTION	DRFT	DATE
△		增加VDE、CE刻字	Ye.j	02/25/08*
△		增加防脱点位置尺寸标注	WLM	02/06/09*



Notes:

- Pitch: 7.62mm, Poles: 2-12P
- Rated voltage/current: UL 300V/15A
VDE 400V/20A
- Operation temperatures: $-45^{\circ}\text{C} \sim +105^{\circ}\text{C}$
- Withstanding Voltage: AC2000V/1min
- Insulation Resistance: $5000 \Omega / \text{DC}1000\text{V}$
- Wire Range: 28~12AWG, 2.5mm²
- Max. Torque Value: M2.5, 4.08kgf.cm
- Undimensioned Tolerances:

Pitch range in mm		Nominal dimension range in mm					
to 6	over 6 to 10	over 10 to 24	over 30 to 60	over 60 to 100	over 100 to 150	over 150	—
±0.10	±0.15	±0.25	±0.2	±0.3	±0.5	±0.7	±1.0

ITEM	NAME OF PART	NO. OF PART	Q'TY	MATERIAL	NOTES
5	2EDG Spring	1005B00010(H)	XX	Phospor Bronze	Ni plated
4	DG128 Brass cage	X000000020(H)	XX	Brass	Ni plated
3	2EDG "—" Screws-M2.5	S000001370(H)	XX+2	Steel	Cr ³⁺ Zn
2	2EDGK-7.62-Cover	1006C0YXXA(H)	1	PA66	UL94V-0

ITEM	NAME OF PART	NO. OF PART	Q'TY	MATERIAL	NOTES
1	2EDGKM-7.62-Housing	1059A0YXXA(H)	1	PA66	UL94V-0

MM (INCH)	DFTO Yangys	DATE 06/16/06*
TOLERANCES EXCEPT AS NOTED	CHKD	DATE
	MFO	DATE
	APPVL	DATE

DEGSON® 宁波高正电子有限公司
DEGSON ELECTRONICS CO., LTD

NAME
2EDGKM-7.62-XXP-1Y-00A(H)

DRAWING NO. 2EDGKM-7.62-E01 SIZE A3 REV T2
/PART NO. 02/06/09*

DO NOT SCALE DRAWING SHEET 1 OF 1