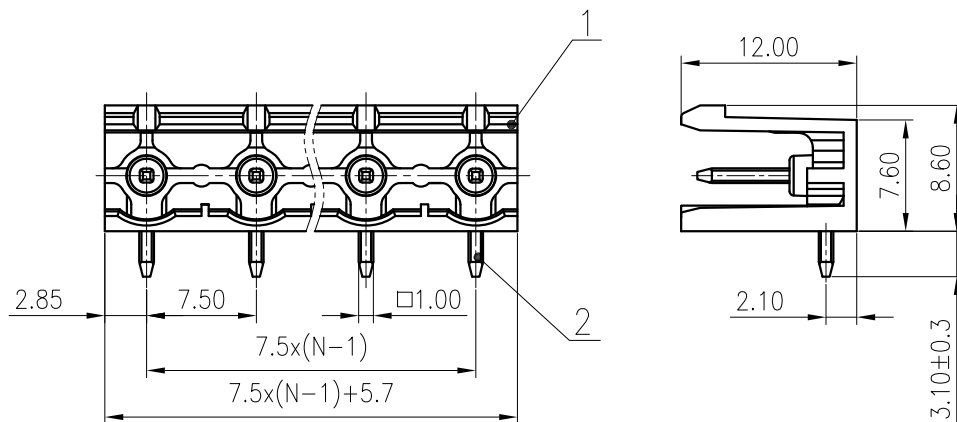
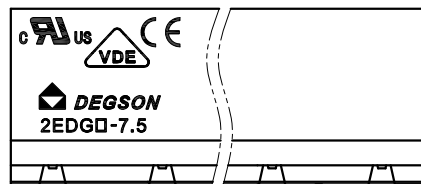
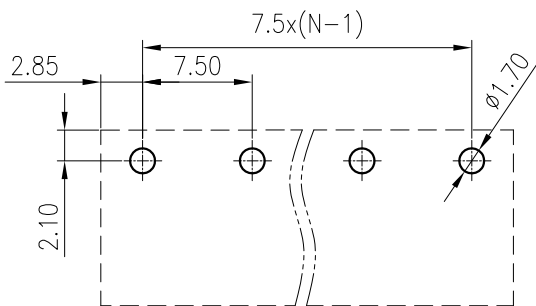


未注公差/General tolerances(mm)												0.1/10	
0	>3	>6	>10	>18	>30	>50	>80	>120	>180	>250	>315		>400
~3	~6	~10	~18	~30	~50	~80	~120	~180	~250	~315	~400	~500	
±0.12	±0.18	±0.22	±0.26	±0.31	±0.37	±0.57	±0.80	±0.93	±1.05	±1.15	±1.60	±2.20	±2.50



2	Pin	Copper	Sn Plated
1	Housing	PA66	UL94V-0
ITEM	NAME OF PART	MATERIAL	NOTES
UL 标准/UL Standard:		B	C
额定电压/电流/Rated Voltage(V)/Current(A)		300/15	300/10
EC 标准/IEC Standard:			
过压类别/Overvoltage Category/污染等级/Pollution Degree		III/3	III/2
额定电压/电流/Rated Voltage(V)/Current(A)		/	400/20
额定脉冲电压(KV)/Rate Impulse Voltage(KV)		/	4
间距/Pitch(mm)/线数范围/Poles		7.5/N=02~12P	
使用温度范围/Operating temperature(°C)		-40~+105	
符合RoHS环保要求/Conform to RoHS		Yes	

PCB LAYOUT



MATERIAL: /	SURFACE: /
MAT NO.: /	宁波高松电子有限公司 NINGBO DEGSON ELECTRICAL CO., LTD
STATUS: /	
APPD: Lan ChH 2020.06.23	
CHKD: Gong YZh 2020.06.23	
DRFT: HHJ 2015.07.27	NAME: 2EDGR-7.5-XXP-1Y-100A(H)
SIZE: A4	DRAWING NO.: 2EDGR-7.5-C01
TYPE: CUSTOMER DRAWING	SCALE: 2:1
	REV T1
	SHEET 1/1

REV	ECN	DESCRIPTION	DRFT	DATE