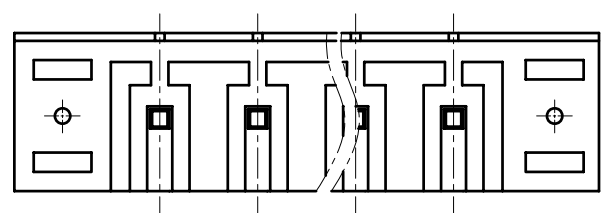
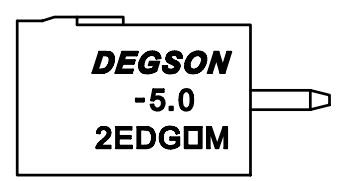
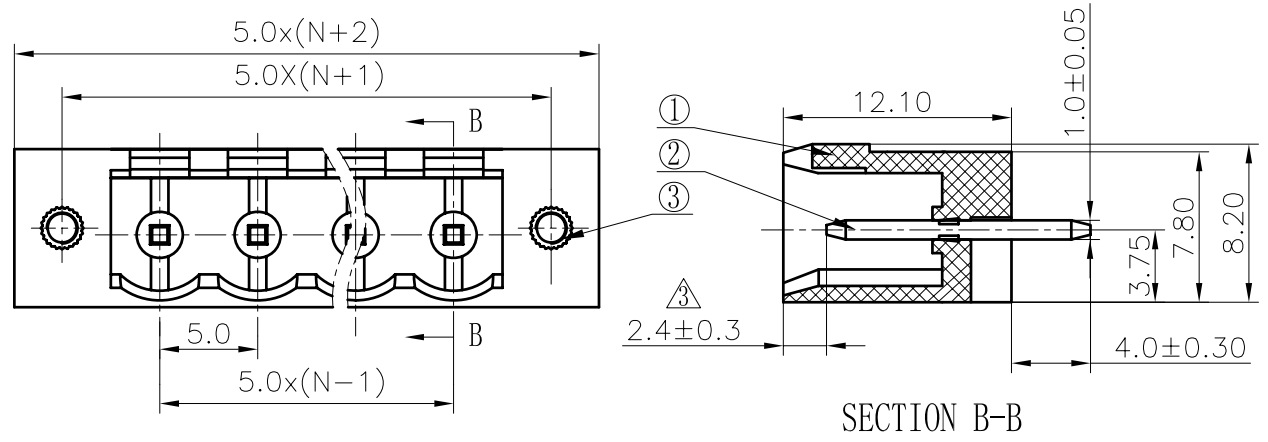
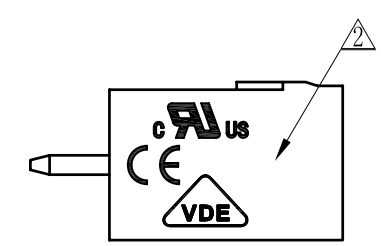


REVISION RECORD				
REV	ECO	DESCRIPTION	DRFT	DATE
△		Drawing emend	CSX	04/04/06*
△		增加VDE刻字	WLM	10/08/08*
△	10-0324	增加标注尺寸	COCO	10/07/10*



VIEW A



- Notes:
1. Pitch: 5.0mm , Poles: 2-24P
  2. Rated voltage/current: UL 300V/15A  
VDE 320V/20A
  3. Operation temperatures: -40°C ~ +105°C
  4. Withstanding Voltage: AC2000V/1min
  5. Insulation Resistance: 5000MΩ/DC1000V
  6. Undimensioned Tolerances:

Pitch range in mm			Nominal dimension range in mm					
	over 6	over 10	over 30	over 60	over 100	over 150		
to 6	to 10	to 24	to 30	to 60	to 100	to 150	∩	
							∇	
±0.10	±0.15	±0.25	±0.2	±0.3	±0.5	±0.7	±1.0	
							0.005/10	

3	2EDG Screw cap	S000000040 (H)	2	Brass	
2	2EDGV-Pin header	1007B00030 (H)	XX	Brass	SnCe
1	2EDGVM-5.0 Housing	1021A0YXXA (H)	1	PA66	UL94V-0
ITEM	NAME OF PART	NO. OF PART	Q'TY	MATERIAL	NOTES
DEGSON		宁波高正电子有限公司 DEGSON ELECTRONICS CO., LTD			
NAME		2EDGVM-5.0-XXP-1Y-00A(H)			
DRAWING NO.		2EDGVM-5.0-E02		SIZE	REV
/PART NO.				A3	T3
				10/07/10*	
DO NOT SCALE DRAWING				SHEET 1	OF 1