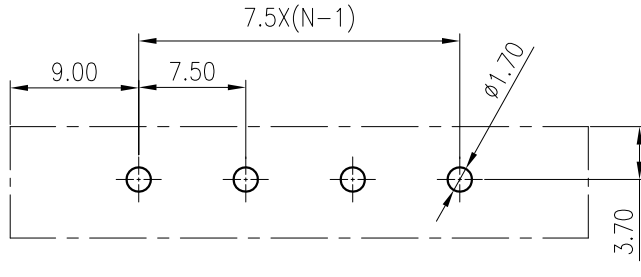
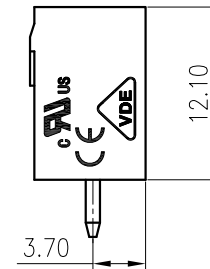
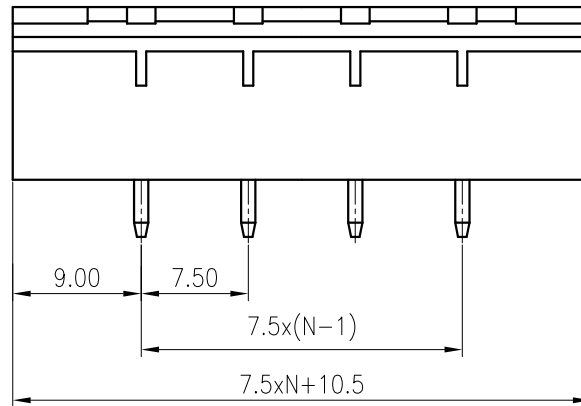
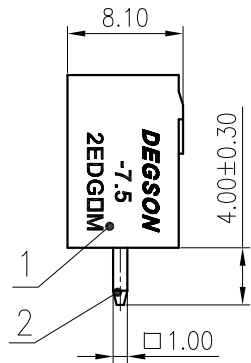
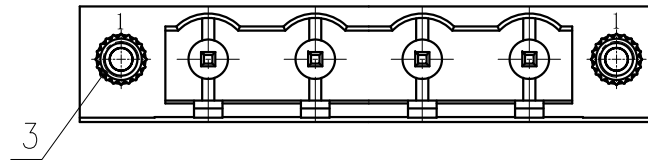


PCB LAYOUT



未注公差/General tolerances(mm)													
0	>3	>6	>10	>18	>30	>50	>80	>120	>180	>250	>315	>400	>500
~3	~6	~10	~18	~30	~50	~80	~120	~180	~250	~315	~400	~500	~500
±0.12	±0.18	±0.22	±0.26	±0.31	±0.37	±0.57	±0.80	±0.93	±1.05	±1.15	±1.60	±2.20	±2.50

0.1/10
±Z'



3	Nut	Copper alloy	/
2	Pin	Copper	Sn Plated
1	Housing	PA66	UL94V-0

ITEM	NAME OF PART	MATERIAL	NOTES
UL 标准/UL Standard:		B	C D
额定电压/电流/Rated Voltage(V)/Current(A)		300/15	/ 300/10
IEC 标准/IEC Standard:			
过压类别/Overvoltage Category/污染等级/Pollution Degree		III/3	III/2 II/2
额定电压/电流/Rated Voltage(V)/Current(A)		/	400/20 /
额定脉冲电压(KV)/Rate Impulse Voltage(KV)		/	4 /
线数范围/Poles		N=02~12P	
使用温度范围/Operating temperature(°C)		-40~+105	
符合RoHS环保要求/Conform to RoHS		Yes	

MATERIAL:		SURFACE:	
MAT NO.:	/	宁波高松电子有限公司 NINGBO DEGSON ELECTRICAL CO., LTD	
STATUS:	/		
APPD: Lan ChH	2020.05.21		
CHKD:	/		
DRFT: GongYZh	2020.05.21	NAME: 2EDGVM-7.5-XXP-1Y-00A(H)	
DRAWING NO.: 10002013		REV	T0
TYPE: CUSTOMER DRAWING		SCALE: 2:1	SHEET 1/1

REV	ECN	DESCRIPTION	DRFT	DATE

SIZE: A4
mm (inch)