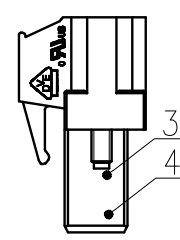
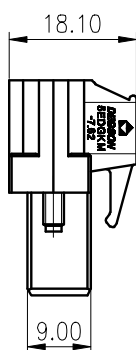
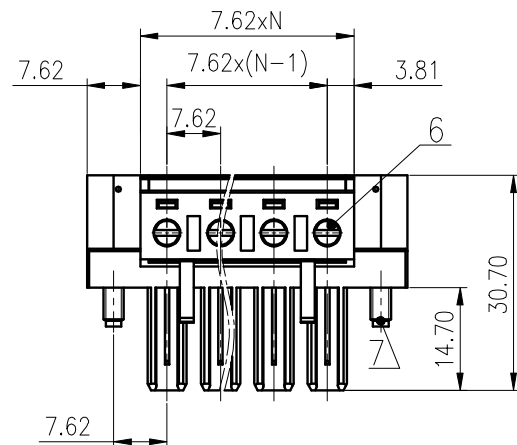
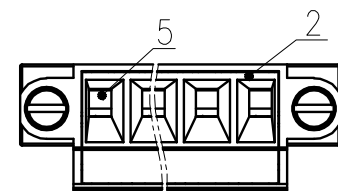
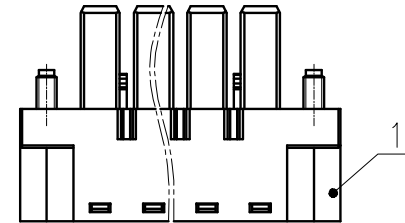


未注公差/General tolerances(mm)											0.1/10 ±2'		
0	>3	>6	>10	>18	>30	>50	>80	>120	>180	>250		>315	>400
±0.12	±0.18	±0.22	±0.26	±0.31	±0.37	±0.57	±0.80	±0.93	±1.05	±1.15	±1.60	±2.20	±2.50

A  
B  
C  
D



7	Screw2	Steel	M3/Zn Plated
6	Screw1	Steel	M3/Zn Plated
5	Cage	Copper alloy	M3/Ni Plated
4	Spring	Steel	/
3	Clamp	Copper	Sn Plated
2	Cover	PA66	UL94V-0
1	Housing	PA66	UL94V-0

ITEM	NAME OF PART	MATERIAL	NOTES
UL 标准/UL Standard:		B	C
额定电压/电压/Rated Voltage(V)/Current(A)		300/30	300/30
IEC 标准/IEC Standard:			D
过压类别/Overvoltage Category/污染等级/Pollution Degree		III/3	III/2
额定电压/电压/Rated Voltage(V)/Current(A)		/	400/32
额定脉冲电压(KV)/Rate Impulse Voltage(KV)		/	4
螺丝扭矩/Torque Tightening(N·m/Lb.in)		M3, 0.5/4.43	
线径范围(硬线和软线)/Wire Range(rigid and flexible)(mm <sup>2</sup> /AWG)		0.2~4.0/28~10	
间距/Pitch(mm)/线数范围/Poles		7.62/N=02~12P	
剥线长度/Stripping length(mm)		10	
使用温度范围/Operating temperature(°C)		-40~+105	
符合RoHS环保要求/Conform to RoHS		Yes	

MATERIAL: /	SURFACE: /		
MAT NO.: /	<b>宁波高松电子有限公司</b> <b>NINGBO DEGSON ELECTRICAL CO., LTD</b>		
STATUS: /			
APPD:			
CHKD:			
DRFT: CenMZ 2020.06.10	NAME: 5EDGKM-7.62-XXP-1Y-00A(H)	DRAWING NO.: 5EDGKM-7.62-C01	REV TO
SIZE: A4	TYPE: CUSTOMER DRAWING	SCALE: 1:1	SHEET 1/1

REV	ECN	DESCRIPTION	DRFT	DATE