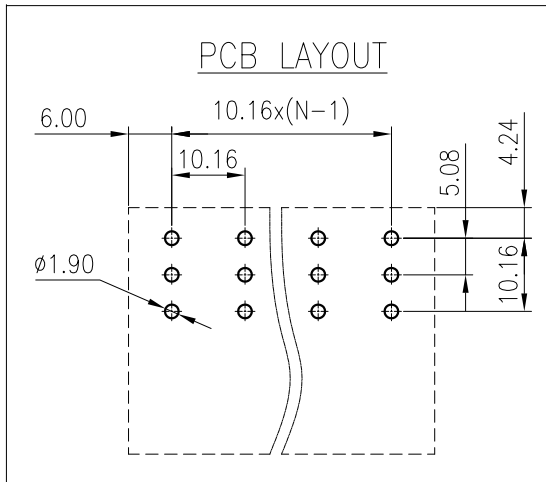
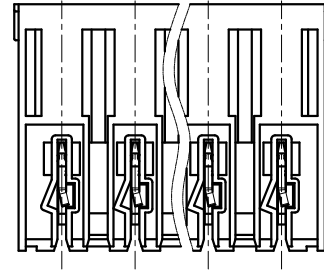
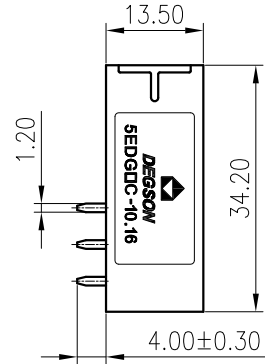
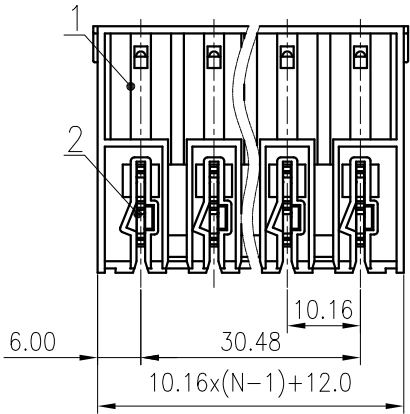
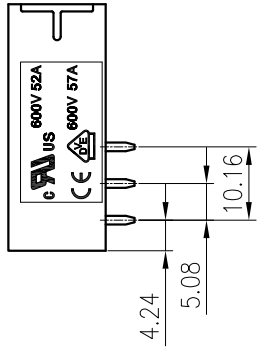
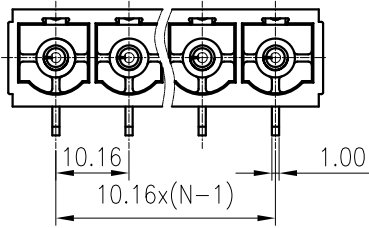


未注公差/General tolerances(mm)													0.1/10 ±2'
0	>3	>6	>10	>18	>30	>50	>80	>120	>180	>250	>315	>400	
~ 3	~ 6	~ 10	~ 18	~ 30	~ 50	~ 80	~ 120	~ 180	~ 250	~ 315	~ 400	~ 500	>500
±0.12	±0.18	±0.22	±0.26	±0.31	±0.37	±0.57	±0.80	±0.93	±1.05	±1.15	±1.60	±2.20	±2.50



ITEM	NAME OF PART	MATERIAL	NOTES
2	Pin header	Copper alloy	Ag Plated
1	Housing	PA66	UL94V-0
UL 标准/UL Standard:		B	C
额定电压/电流/Rated Voltage(V)/Current(A)		300/52	600/5
EC 标准/IEC Standard:		B	C
过压类别/Overvoltage Category/污染等级/Pollution Degree		III/3	/
额定电压/电流/Rated Voltage(V)/Current(A)		600/57	/
额定脉冲电压(KV)/Rate Impulse Voltage(KV)		6.0	/
螺丝扭矩/Torque Tightening(N·m/Lb.in)		/	
线径范围(硬线和软线)/Wire Range(rigid and flexible)(mm ² /AWG)		/	
间距/Pitch(mm)/线数范围/Poles		10.16/N=02~08P	
剥线长度/Stripping length(mm)		/	
使用温度范围/Operating temperature(°C)		-40~+105	
符合RoHS环保要求/Conform to RoHS		Yes	
标准颜色编号/Standard color number:		/	
PANTONE / RAL		/	

MATERIAL:		SURFACE:	
MAT NO.:	/	宁波高松电子有限公司 NINGBO DEGSON ELECTRICAL CO., LTD	
STATUS:	/		
APPD:	Li GL 2020.06.18	NAME:	
CHKD:	Mao J 2020.06.18	5EDGRC-10.16-XXP-1Y-00A(H)	
DRFT:	Feng X 2020.06.17	DRAWING NO.:	5EDGRC-10.16-C01
REV	ECN	DESCRIPTION	DRFT
DATE	DATE	DATE	DATE
SIZE: A4	mm (inch)	TYPE: CUSTOMER DRAWING	SCALE: 1:1
REV	ECN	DESCRIPTION	DRFT
DATE	DATE	DATE	DATE
SHEET	1/1	SHEET	1/1