

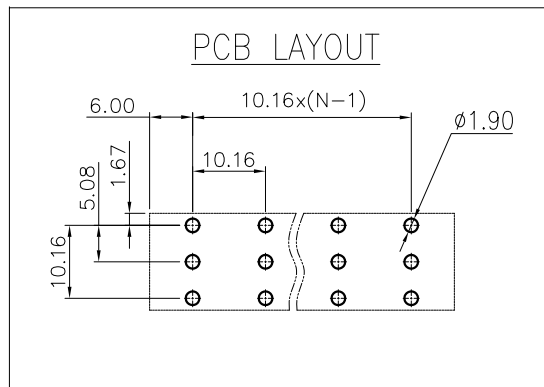
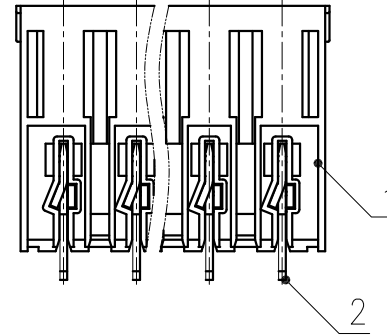
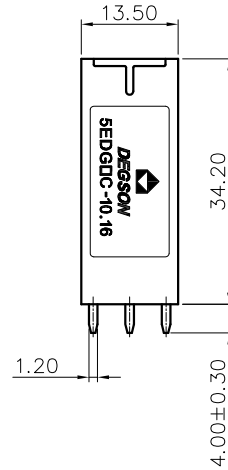
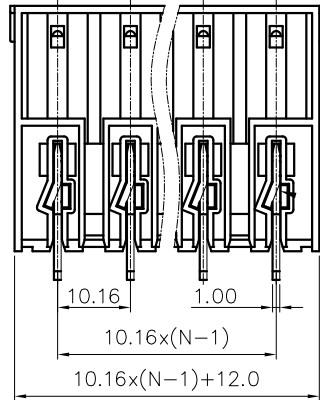
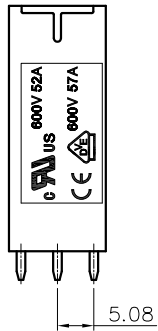
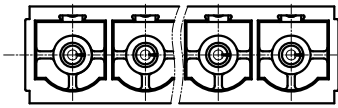
未注公差/General tolerances(mm)														
0	>3	>6	>10	>18	>30	>50	>80	>120	>180	>250	>315	>400	>500	0.1/10 ±2'
~3	~6	~10	~18	~30	~50	~80	~120	~180	~250	~315	~400	~500		
±0.12	±0.18	±0.22	±0.26	±0.31	±0.37	±0.57	±0.80	±0.93	±1.05	±1.15	±1.60	±2.20	±2.50	

A

B

C

D



2	Pin	Copper	Ag Plated
1	Housing	PA66	UL94V-0
ITEM	NAME OF PART	MATERIAL	NOTES
UL 标准/UL Standard:			
		B	C
额定电压/电流/Rated Voltage(V)/Current(A)		300/52	300/52
IEC 标准/IEC Standard:			D
过压类别/Overvoltage Category/污染等级/Pollution Degree		III/3	/
额定电压/电流/Rated Voltage(V)/Current(A)		600/57	/
额定脉冲电压(KV)/Rate Impulse Voltage(KV)		6.0	/
螺丝扭矩/Torque Tightening(N·m/Lb.in)			/
线径范围(硬线和软线)/Wire Range(rigid and flexible)(mm ² /AWG)			/
间距/Pitch(mm)/线数范围/Poles		10.16/N=02~08P	
剥线长度/Stripping length(mm)			/
使用温度范围/Operating temperature(°C)		-40~+105	
符合RoHS环保要求/Conform to RoHS			Yes
标准颜色编号/Standard color number:			/
PANTONE / RAL			/

MATERIAL:		SURFACE:	
MAT NO.: /		宁波高松电子有限公司 NINGBO DEGSON ELECTRICAL CO., LTD	
STATUS: /			
APPD: Li GL 2020.06.16		NAME:	
CHKD: Mao J 2020.06.16		5EDGVC-10.16-XXP-1Y-00A(H)	
DRFT: CMZ 2016.02.10		DRAWING NO.: 5EDGVC-10.16-C01	
		REV	T1
SIZE: A4		TYPE: CUSTOMER DRAWING	SCALE: 1;1
		SHEET	1/1

REV	ECN	DESCRIPTION	DRFT	DATE