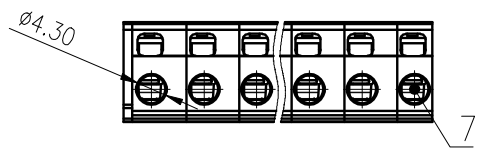
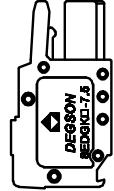
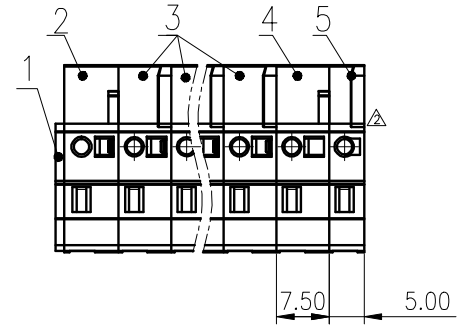
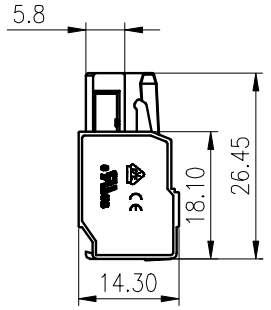
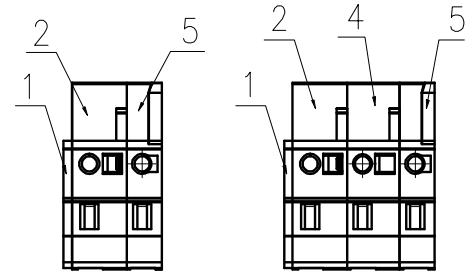
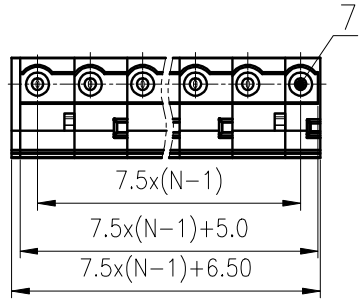


A
B
C
D

2 3 4 5 6

Pitch Range In mm		Nominal		Dimension Range In mm					
Over 6	Over 10	TO 30	TO 60	Over 30	Over 60	Over 100	Over 150	0.1/10	
TO 6	TO 10	TO 30	TO 60	TO 30	TO 60	TO 100	TO 150	<	
±0.15	±0.20	±0.30	±0.30	±0.50	±0.70	±1.00	±1.30	±2'	



7	Clamp	Copper alloy	Sn plated
6	Spring	Stainless steel	
5	Side housing 2	PA66	UL94V-0
4	Middle housing 2	PA66	UL94V-0
3	Middle housing 1	PA66	UL94V-0
2	Side housing 1	PA66	UL94V-0
1	Cover	PA66	UL94V-0
ITEM	NAME OF PART	MATERIAL	NOTES

UL 标准/UL Standard:	B	C	D
额定电压/电流/Rated Voltage(V)/Current(A)	300/15	300/15	300/10
IEC 标准/IEC Standard:			
过压类别/Overvoltage Category/污染等级/Pollution Degree	III/3	III/2	II/2
额定电压/电流/Rated Voltage(V)/Current(A)	400/20	/	/
额定脉冲电压(KV)/Rate Impulse Voltage(KV)	4	/	/
线径范围(硬线和软线)/Wire Range(rigid and flexible)(mm ² /AWG)	0.2~2.5/22~14		
间距/Pitch(mm)/线数范围/Poles	7.50/N=02~12P		
剥线长度/Stripping length(mm)	9-10		
使用温度范围/Operating temperature(°C)	-40~+105		
符合RoHS环保要求/Conform to RoHS	Yes		
标准颜色编号/Standard color number: PANTONE / RAL	PANTONE 428C		

MATERIAL: /	SURFACE: /			
MAT NO.: /	宁波高松电子有限公司 NINGBO DEGSON ELECTRICAL CO., LTD			
STATUS: /				
APPD:				NAME:
CHKD:				8EDGK-7.5-XXP-11-1001A(H)
DRFT: JEX 2014.04.29	DRAWING NO.8EDGK-7.5-1000-C02	REV	TO	
⊕	SIZE: A4	TYPE: CUSTOMER DRAWING	SCALE: 1:1 SHEET 1/1	

REV	ECN	DESCRIPTION	DRFT	DATE

1 2 3 4 5 6