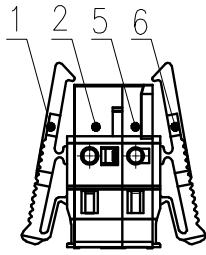
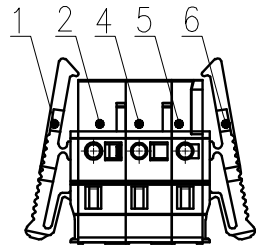


A

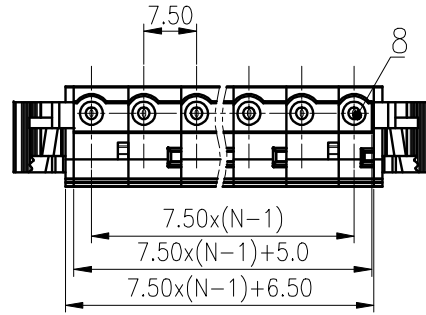


\*02P\*

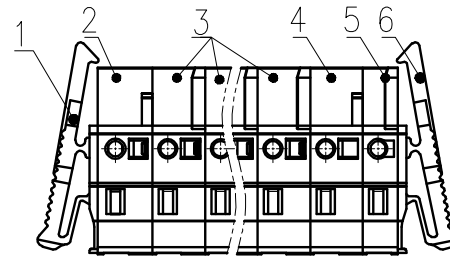
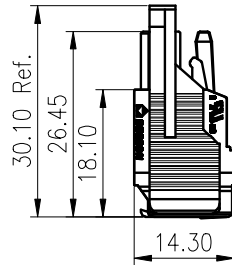


\*03P\*

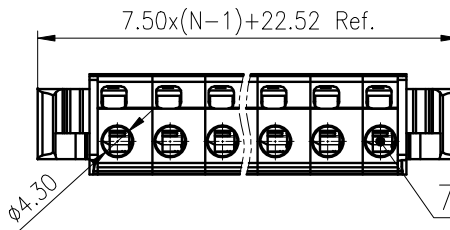
B



C



D



Pitch Range In mm				Nominal Dimension Range In mm				0.1/10
TO	Over 6 TO	Over 10 TO	Over 30 TO	Over 60 TO	Over 100 TO	Over 150 TO		
6	10	24	30	60	100	150	±2'	
±0.15	±0.20	±0.30	±0.30	±0.50	±0.70	±1.00	±1.30	

8	Clamp	Copper alloy	Sn Plated
7	Spring	Stainless Steel	
6	Cover 2	PA66	UL94V-0
5	Side Housing 2	PA66	UL94V-0
4	Middle Housing 2	PA66	UL94V-0
3	Middle Housing 1	PA66	UL94V-0
2	Side Housing 1	PA66	UL94V-0
1	Cover 1	PA66	UL94V-0
ITEM	NAME OF PART	MATERIAL	NOTES
UL 标准/UL Standard:			
额定电压/电流/Rated Voltage(V)/Current(A)	300/15	300/15	/
IEC 标准/IEC Standard:			
过压类别/Overvoltage Category/污染等级/Pollution Degree	III/3	III/2	II/2
额定电压/电流/Rated Voltage(V)/Current(A)	400/20	/	/
额定脉冲电压(kV)/Rate Impulse Voltage(kV)	4	/	/
线径范围(硬线和软线)/Wire Range(rigid and flexible)(mm <sup>2</sup> /AWG)	0.2~2.5/22~14		
间距/Pitch(mm)/线数范围/Poles	7.5/N=02~12P		
剥线长度/Stripping length(mm)	9~10		
使用温度范围/Operating temperature(°C)	-40~+105		
符合RoHS环保要求/Conform to RoHS	Yes		
标准颜色编号/Standard color number:	PANTONE 428C		

MATERIAL: /	SURFACE: /		
MAT NO.: /	<b>宁波高松电子有限公司</b> <b>NINGBO DEGSON ELECTRICAL CO., LTD</b>		
STATUS: /			
APPD:	NAME: 8EDGKG-7.5-XXP-11-1001A(H)		
CHKD:	DRAWING No.8EDGKG-7.5-1000-C02		
DRFT: XieZhP 2020.06.17	REV	TO	
SIZE: A4	TYPE: CUSTOMER DRAWING	SCALE: 1:1	SHEET 1/1

REV	ECN	DESCRIPTION	DRFT	DATE