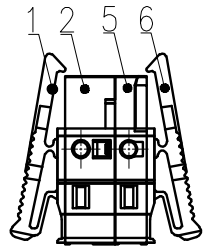
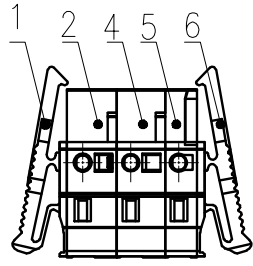


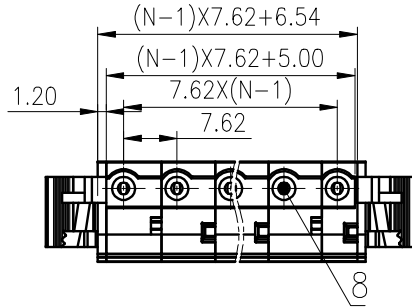
A



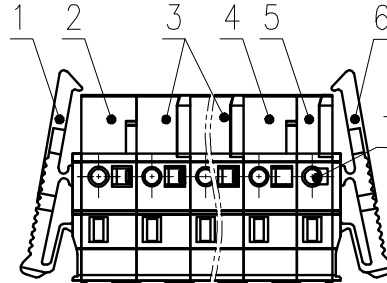
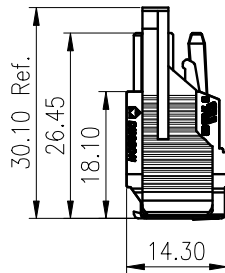
02P



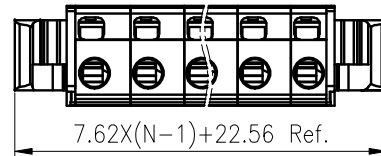
03P



B



C



D

Pitch range in mm			Nominal dimension range in mm						
TO	Over 6 TO	Over 10 TO	TO	Over 30 TO	Over 60 TO	Over 100 TO	Over 150 TO	0.1/10	
6	10	24	30	60	100	150		<	
±0.15	±0.20	±0.30	±0.30	±0.50	±0.70	±1.00	±1.30	±2'	

8	Clamp	Copper alloy	Sn Plated
7	Spring	Stainless Steel	
6	Cover 2	PA66	UL94V-0
5	Side Housing 2	PA66	UL94V-0
4	Middle Housing 2	PA66	UL94V-0
3	Middle Housing 1	PA66	UL94V-0
2	Side Housing 1	PA66	UL94V-0
1	Cover 1	PA66	UL94V-0
ITEM	NAME OF PART	MATERIAL	NOTES
UL 标准/UL Standard:		B	C
额定电压/电流/Rated Voltage(V)/Current(A)		300/15	300/15
IEC 标准/IEC Standard:			
过压类别/Overvoltage Category/污染等级/Pollution Degree		III/3	III/2
额定电压/电流/Rated Voltage(V)/Current(A)		400/20	/
额定脉冲电压(kV)/Rate Impulse Voltage(kV)		4	/
线径范围(硬线和软线)/Wire Range(rigid and flexible)(mm ² /AWG)		0.2~2.5/22~14	
间距/Pitch(mm)/线数范围/Poles		7.62/N=02~12P	
剥线长度/Stripping length(mm)		9~10	
使用温度范围/Operating temperature(°C)		-40~+105	
符合RoHS环保要求/Conform to RoHS		Yes	
标准颜色编号/Standard color number:		PANTONE 7534U	
PANTONE			

MATERIAL: /	SURFACE: /			
MAT NO.: /	宁波高松电子有限公司 NINGBO DEGSON ELECTRICAL CO., LTD			
STATUS: /				
APPD:				NAME:
CHKD:				8EDGKG-7.62-XXP-1Y-01A(H)
DRFT: XieZhP 2020.06.17	DRAWING NO.: 8EDGKG-7.62-C02	REV	TO	
④	SIZE: A4	TYPE: CUSTOMER DRAWING	SCALE: 1:1 SHEET 1/1	

REV	ECN	DESCRIPTION	DRFT	DATE