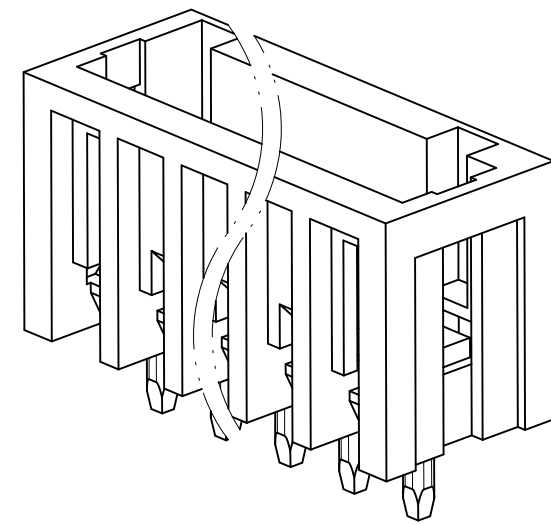
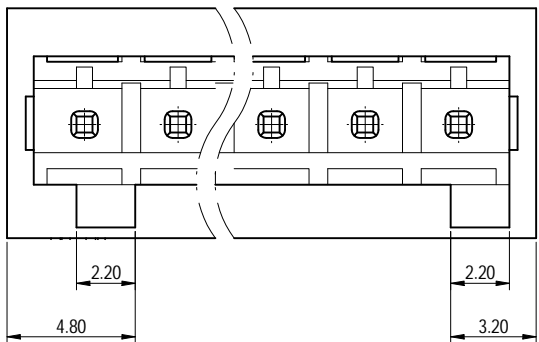
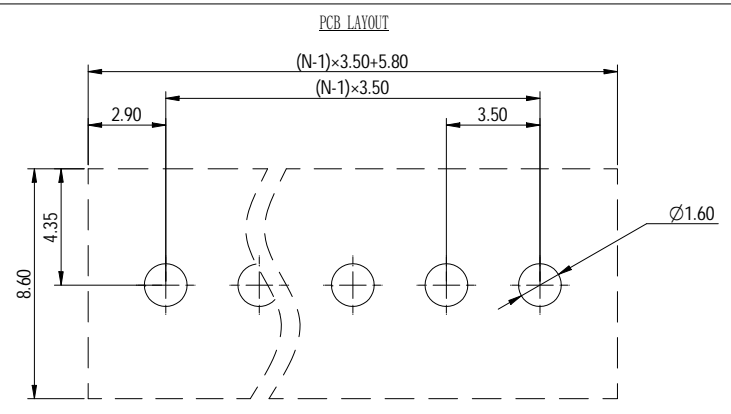
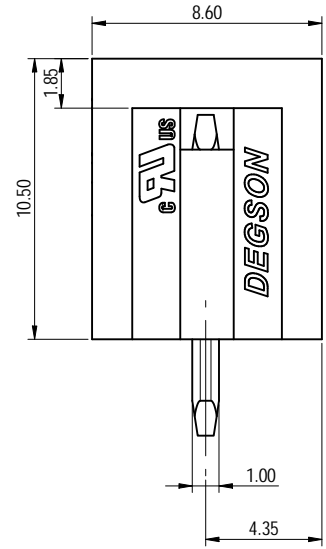
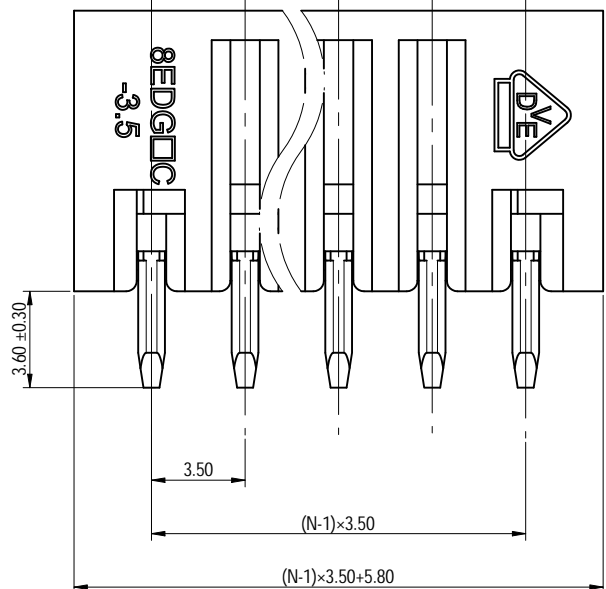
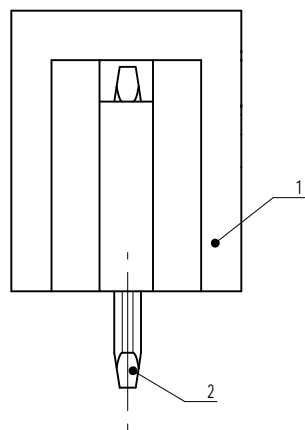


公差/General tolerances (mm)											D			
0	>3	>6	>10	>18	>30	>50	>80	>120	>180	>250	>315	>400	>500	0.1/10
~	3	6	10	18	30	50	80	120	180	250	315	400	500	N
											±2			



please refer to the 3D model, for those unmarked dimensions



Note: The A&Z(H) in the name means:A(H)and Z(H).

ITEM	NAME OF PART	MATERIAL	NOTES
2	Pin header	Copper	Sn Plated
1	Housing	PA66	UL94V-0

UL 标准/UL Standard:		B	C	D
额定电压/电流/Rated Voltage(V)/Current(A)		300/10	/	300/10
IEC 标准/IEC Standard:				
过压类别/Overvoltage Category/污染等级/Pollution Degree		III/3		
额定电压/电流/Rated Voltage(V)/Current(A)		130/10		
额定脉冲电压(KV)/Rate Impulse Voltage(KV)		2.5		
间距/Pitch(mm)/线数范围/Poles		3.50/N=02~24P		
使用温度范围/Operating temperature(°C)		-40~+105		
符合RoHS环保要求/Conform to RoHS		Yes		

<b>DEGSON</b>		MATERIAL:	SURFACE/COLOR:
APPD: 蓝美凡	2022.11.11	MAT NO./REV: - / 00	MAT STATUS: 批量

NAME: 8EDGVC-3.5-XXP-1Y-01A&Z(H)	DRAWING NO: 200119327	TYPE: CUSTOMER DRAWING	DRAWING STATUS: 已发布	SCALE: 5:1	SHEET: 1/1
----------------------------------	-----------------------	------------------------	---------------------	------------	------------

REV	ECN	DESCRIPTION	DRFT	DATE
00			委民浩	2022.11.09
			曹利彬	2022.11.09
			委民浩	2022.11.09

Transfer or duplication of this document as well as the utilization of its contents without the written permission of DEGSON is prohibited. All rights reserved for patent.