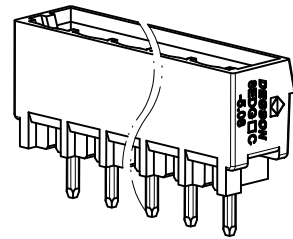
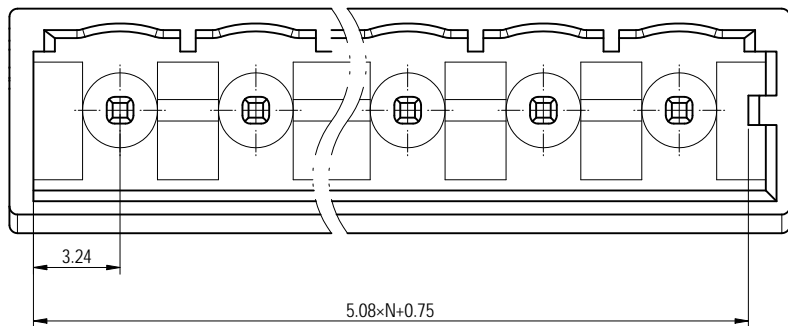
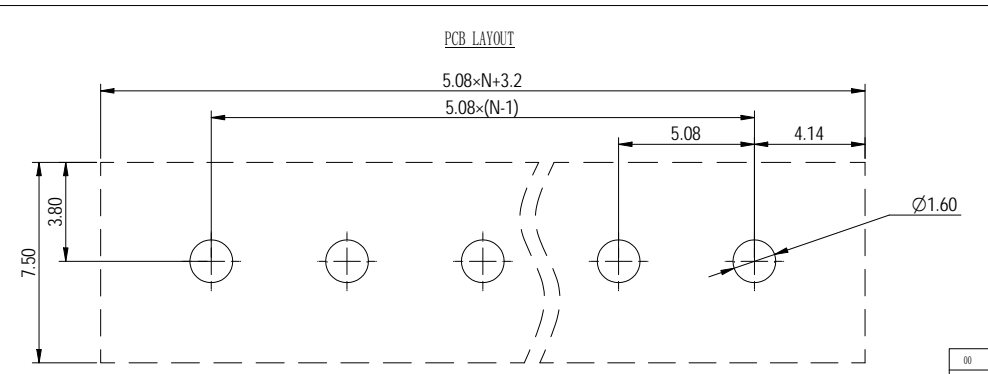
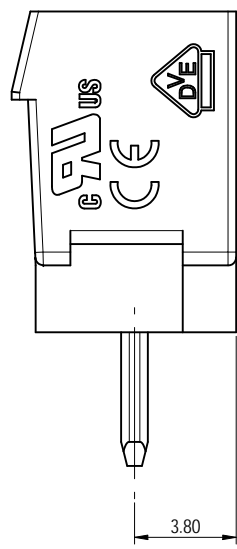
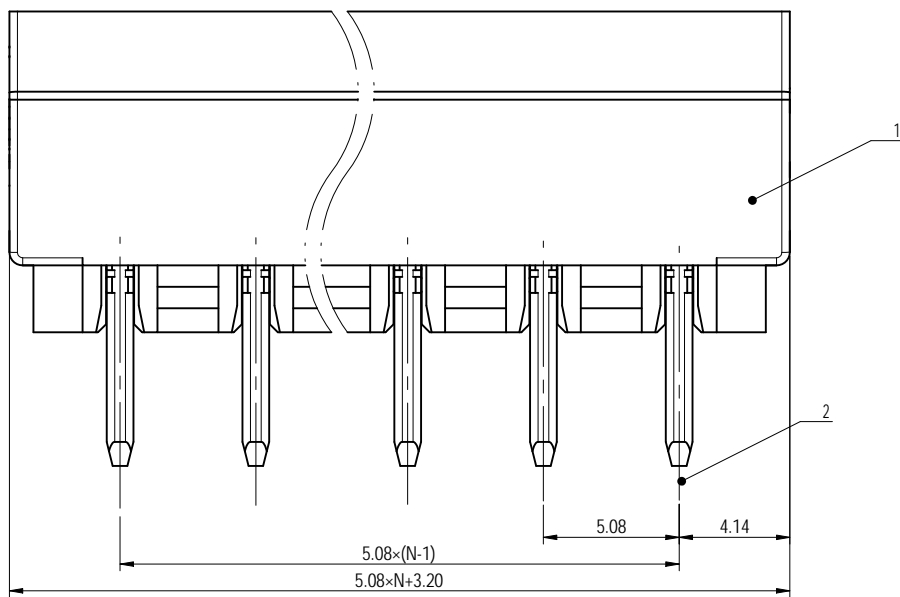
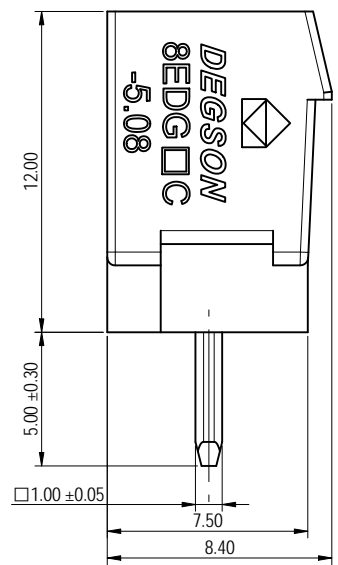


未注公差/General tolerances (mm)													D	
0	>3	>6	>10	>18	>30	>50	>80	>120	>180	>250	>315	>400	>500	0.1/10
~	~	~	~	~	~	~	~	~	~	~	~	~	~	N
±0.12	±0.18	±0.22	±0.26	±0.31	±0.37	±0.57	±0.80	±0.93	±1.05	±1.15	±1.60	±2.20	±2.50	±2



please refer to the 3D model, for those unmarked dimensions.



Note: The A&Z (H) in the name means: A(H) and Z (H).

ITEM	NAME OF PART	MATERIAL	NOTES
2	Pin header	Copper	Sn Plated
1	Housing	PA66	UL94V-0

UL 标准/UL Standard:	B	C	D
额定电压/电流/Rated Voltage(V)/Current(A)	300/15	300/15	300/10
额定脉冲电压/(KV)Rate Impulse Voltage(KV)	4	/	/
间距/Pitch(mm)/线数范围/Poles	5.08N-02-24P		
使用温度范围/Operating temperature(°C)	-40--105		
符合RoHS环保要求/Conform to RoHS	Yes		

DIAGSON		MATERIAL:	SURFACE/COLOR: PANTONE 428C
APPD: 蓝贵凡	2023.09.05	MAT NO./REV:	/ 00
CHKD: 曹利彬	2023.09.05	NAME:	8EDGVC-5.08-XXP-1Y-01A&Z(H)

REV	ECN	DESCRIPTION	DRFT	DATE	DRAWING NO.	TYPE	DRAWING STATUS	SCALE	SHEET
00					200118749	CUSTOMER DRAWING	已发布	2:1	1/1

Transfer or duplication of this document as well as the utilization of its contents without the written permission of DIAGSON is prohibited. All rights reserved for patent. 复制或再发布此文件以及其内容的使用，未经 DIAGSON 书面许可，是严格禁止的。保留所有权利。保留所有权利。