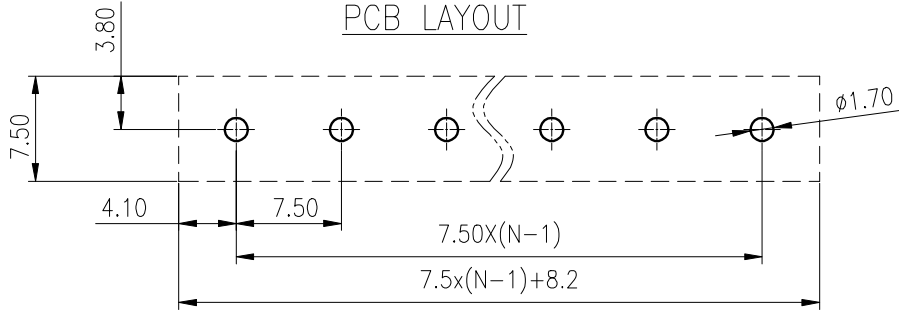


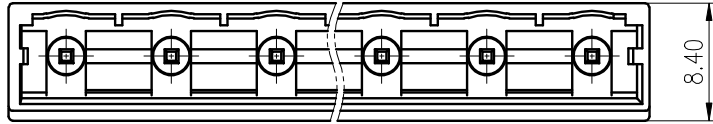
PCB LAYOUT

公差/General tolerances(mm)											0.1/10 ±2'		
0~3	>3~6	>6~10	>10~18	>18~30	>30~50	>50~80	>80~120	>120~180	>180~250	>250~315		>315~400	>400~500
±0.12	±0.18	±0.22	±0.26	±0.31	±0.37	±0.57	±0.80	±0.93	±1.05	±1.15	±1.60	±2.20	±2.50

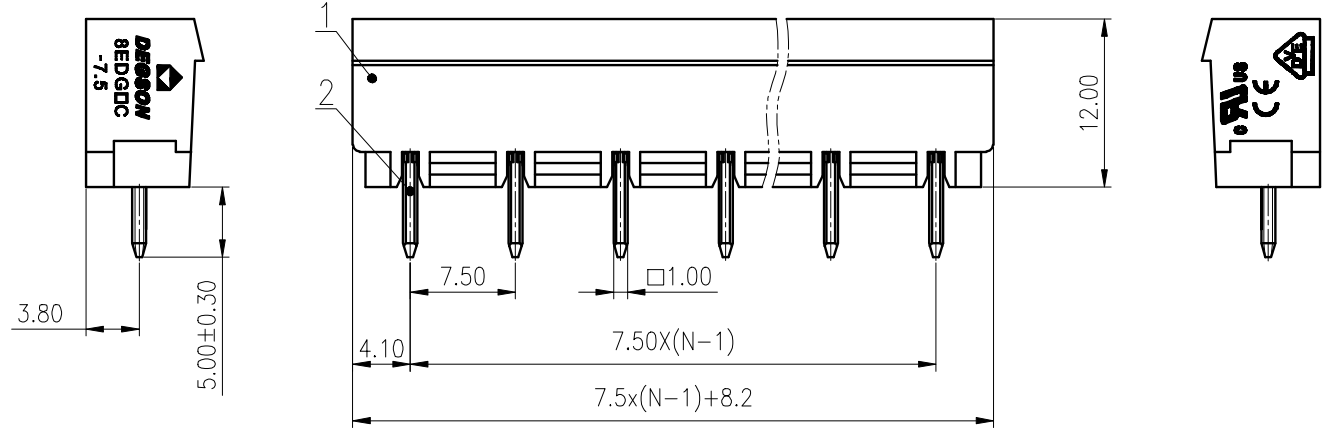
A



B



C



D

2	Pin header	Copper	Sn Plated
1	Housing	PA66	UL94V-0
ITEM	NAME OF PART	MATERIAL	NOTES
UL 标准/UL Standard:		B	C
额定电压/电流/Rated Voltage(V)/Current(A)		300/15	300/15 300/10
IEC 标准/IEC Standard:			
过压类别/Overvoltage Category/污染等级/Pollution Degree		III/3	/ /
额定电压/电流/Rated Voltage(V)/Current(A)		400/20	/ /
额定脉冲电压(KV)/Rate Impulse Voltage(KV)		4	/ /
间距/Pitch(mm)/线数范围/Poles		7.5/N=02~12P	
使用温度范围/Operating temperature(°C)		-40~+105	
符合RoHS环保要求/Conform to RoHS		Yes	
标准颜色编号/Standard color number: PANTONE / RAL		PANTONE 7534U	

MATERIAL: /	SURFACE: /			
MAT NO.: /	宁波高松电子有限公司 NINGBO DEGSON ELECTRICAL CO., LTD			
STATUS: /				
APPD:				NAME:
CHKD:				8EDGVC-7.5-XXP-11-01A(H)
DRFT: YinDK 2020.03.25	DRAWING NO.: 10001541	REV	TO	
REV	ECN	DESCRIPTION	DRFT	
DATE	SIZE: A4	TYPE: CUSTOMER DRAWING	SCALE: 2:1	
			SHEET 1/1	

REV	ECN	DESCRIPTION	DRFT	DATE