

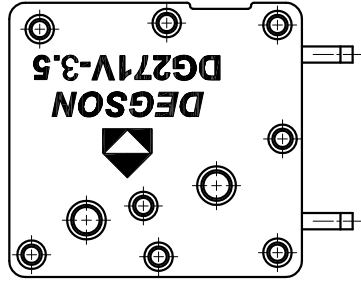
NOTES1:

- UL Standard
- 1. Rated voltage/current : 300V / 10A
- 2. Withstanding voltage : AC1600V/1Min.
- 3. Wire range : 24~16AWG

IEC Standard

1. Pollution degree	2	2	3
Overvoltage category	II	III	III
Rate impulse voltage(KV)	2.5KV	2.5KV	2.5KV
Rate voltage(V)	400V	200V	160V
Rate current(A)		17.5A	

2. Wire range : 0.2~1.5mm²

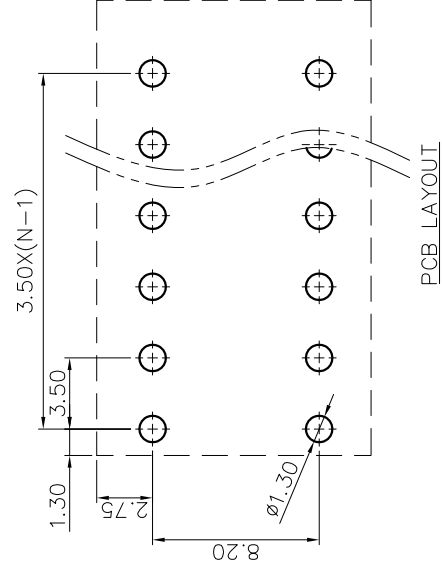
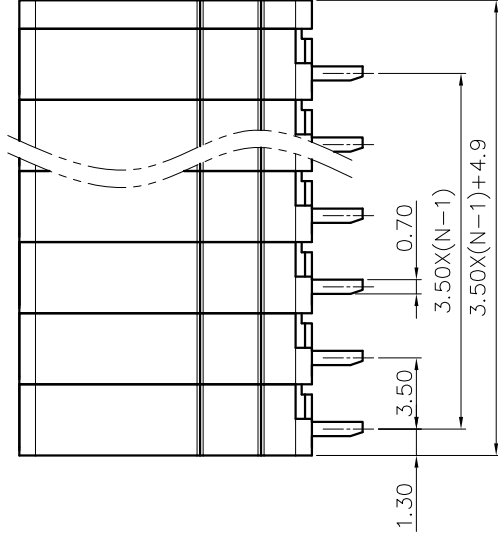
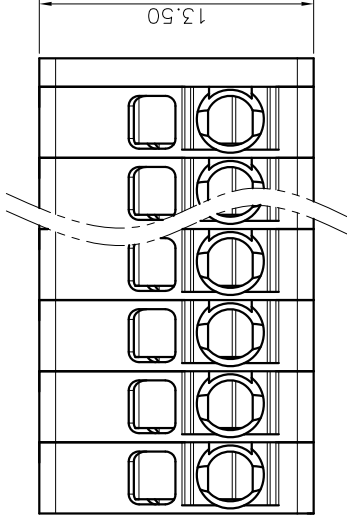


NOTES2:

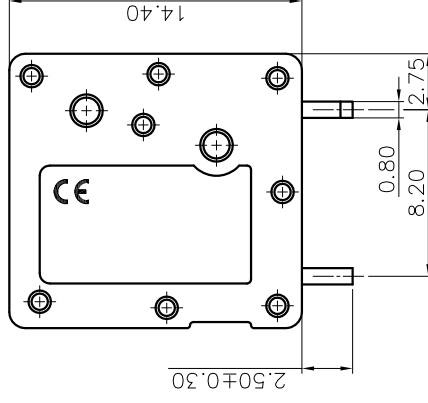
- 1. Dimension shall be interpreted per ASME Y14.5-2009
- 2. Pitch : 3.50mm, Poles : N=01~24P
- 3. Stripping length : 10mm
- 4. Operating temperature: -40°C~+105°C
- 5. Undimensioned tolerances:

Pitch range in mm	Nominal dimension range in mm			
	Over	TO	TO	Over
6	10	30	60	100
TO	TO	TO	TO	TO
6	10	24	30	60
±0.15	±0.20	±0.30	±0.50	±0.70
			±1.00	±1.30
				±2

6. RoHS Compliance



DG271V - 3.5 - XXP - 1Y - 00A (H)
 L(RoHS)
 -00A-(Standard)
 (Series No.) (Pitch) (Poles) (Single Pitch) (Color) 1. (Grey)
 2. (Blue)
 3. (Black)
 4. (Green)
 5. (Orange)
 6. (Red)
 7. (Transparent)
 8. (Yellow)
 9. (White)



DETACHED LISTS

PART NO.:	/	NINGBO DEGSON ELECTRICAL CO., LTD
APPD:	/	NAME: DG271V-3.5-XXP-1Y-00A(H)
CHKD:	/	TITLE: CUSTOMER DRAWING
DRFT:	/	DRAWING NO. /
		REV DO
		SHEET 1/1
		SCALE 1:1
		DO NOT SCALE DRAWING
		SCALE 1:1

