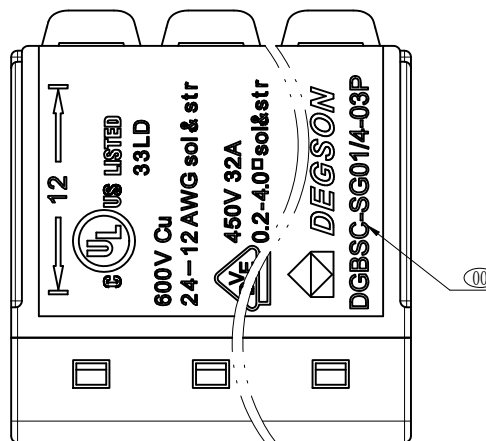
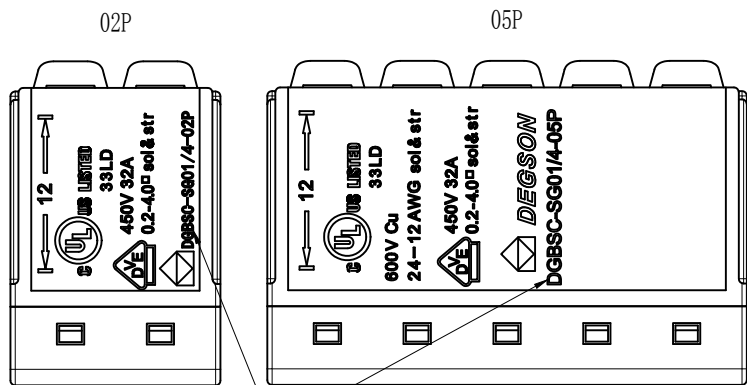


The test hole at 02P is on the right



公差/General tolerances (mm)													0.1/10		
0	>3	>6	>10	>18	>30	>50	>80	>120	>180	>250	>315	>400	>500	D	
~	3	6	10	18	30	50	80	120	180	250	315	400	500		
													±2		
±0.12	±0.18	±0.22	±0.26	±0.31	±0.37	±0.57	±0.80	±0.93	±1.05	±1.15	±1.60	±2.20	±2.50		
UL 标准/UL Standard:															
额定电压/Rated Voltage(V)													600		
IEC 标准/IEC Standard:															
过压类别/Ovenvoltage Category/污染等级/Pollution Degree													III/3	III/2	II/2
额定电压/电压/Rated Voltage(V)/Current(A)													/	450/32	/
工频耐压/Withstanding voltage(V/1Min)													/	AC2500	/
线径范围(硬线和软线)/Wire Range(rigid and flexible)(AWG/mm²)													24~12 / 0.2~4.0		
间距/Pitch(mm)/线数范围/Poles													5.6/N=02P/03P/05P		
剥线长度/Stripping length(mm)													12		
使用温度范围/Operating temperature(°C)													-40~+85 (IEC)		
符合RoHS环保要求/Conform to RoHS													Yes		
Mark/DGBSC-SG01/4-02P: 600V Cu															
24-12AWG sol&str															

ITEM	NAME OF PART	MATERIAL	NOTES
5	Current carrier	Copper	Sn Plated
4	Spring	Stainless steel	/
3	Button	PA66+GF	UL94V-0
2	Cover	PC	UL94V-2
1	Housing	PC	UL94V-2

品名/Name	按钮颜色/The button color	壳体&盖板颜色/The housing&cover color
DGBSC-SG01/4-XXP(1Y-00AH)	绿色/Green	透明/Transparent
DGBSC-SG01/4-XXP(1Y-11AH)	棕色/Brown	透明/Transparent
DGBSC-SG01/4-XXP(1Y-12AH)	蓝色/Blue	透明/Transparent
DGBSC-SG01/4-XXP(1Y-13AH)	黑色/Black	透明/Transparent
DGBSC-SG01/4-XXP(1Y-14AH)	绿色/Green	透明黄/Yellow Transparent
DGBSC-SG01/4-XXP(1Y-15AH)	红色/Red	透明/Transparent

DEGSON		MATERIAL: /	SURFACE/COLOR: /	
APPD: 竺春华	2022.04.22	MAT NO./REV: -/00	MAT STATUS: 批量	
CHKD: 陈超	2022.04.22	NAME: DGBSC-SG01/4-XXP(1Y-00AH)		
DRFT: 李凯	2022.04.22	DRAWING NO. 200066324	TYPE: CUSTOMER DRAWING	DRAWING STATUS: 已发布
REV: 00	ECN:	DESCRIPTION: 1X品名制字由00221变更后DGBSC	SCALE: 1:1	SHEET: 1/1
DRFT: 李凯	DATE: 2022.04.22	TYPE: CUSTOMER DRAWING	DRAWING STATUS: 已发布	SHEET: 1/1

REV	ECN	DESCRIPTION	DRFT	DATE
00		1X品名制字由00221变更后DGBSC	李凯	2022.04.22

Transfer or duplication of this document as well as the utilization of its contents in any form without the written permission of DEGSON is prohibited. All rights reserved for patent.