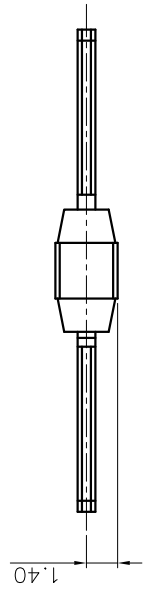
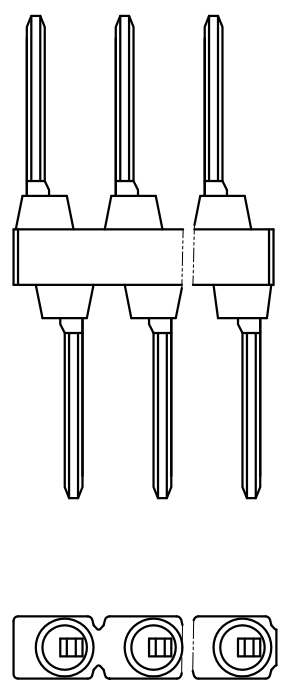
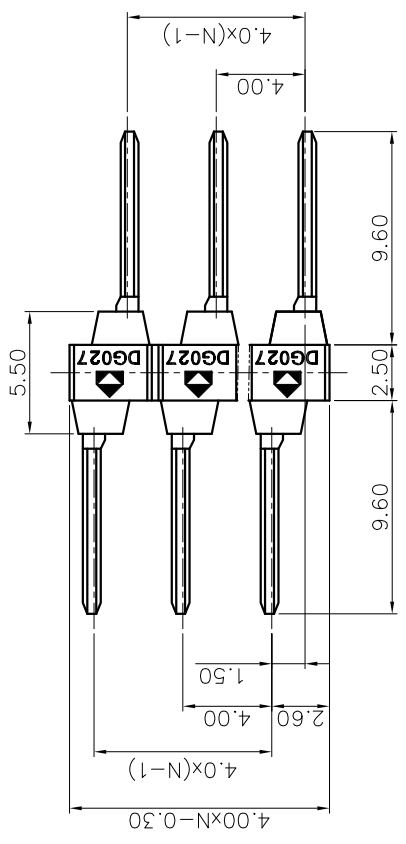


REVISION RECORD			
REV	ECN	DRFT	DATE



DG027 - 4.0 - XXP - 19 - 00A (H)
 (Series No.) (Pitch) (Poles) (Single Pitch) (RoHS)
 -00A-(Standard) (Color):9.(White)

NOTES1:
 UL Standard
 Current : 9A

NOTES2:
 1.Dimension shall be interpreted per ASME Y14.5-2009
 2.Pitch : 4.0mm, Poles : N=01~03P
 5.Operating temperature: -40°C~+105°C
 6.Undimensioned Tolerances:

Pitch range in mm	Nominal dimension range		Tolerance
	Over	Over	
6 TO 10	30 TO 60	100 TO 150	0.1/10
10 TO 24	30 TO 60	100 TO 150	±
±0.15	±0.20	±0.30	±0.50
		±0.70	±1.00
			±1.30
			±2

7.RoHS Compliance

PART NO.:	/	DEGSON [®]	NINGBO DEGSON ELECTRICAL CO., LTD	宁波高松电子有限公司
APPD:	/	NAME:	DG027-4.0-XXP-19-00A(H)	
CHKD:	/	TITLE:	CUSTOMER DRAWING	REV DO
DRFT:	/	DRAWING NO.:	/	SHEET 1/1
THIRD ANGLE PROJECTION		MM (INCH)	DO NOT SCALE	DRAWING SCALE 1:1

DETACHED LISTS