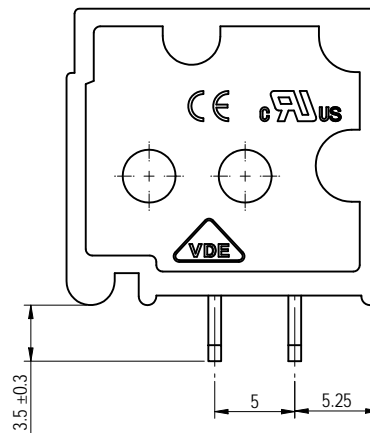
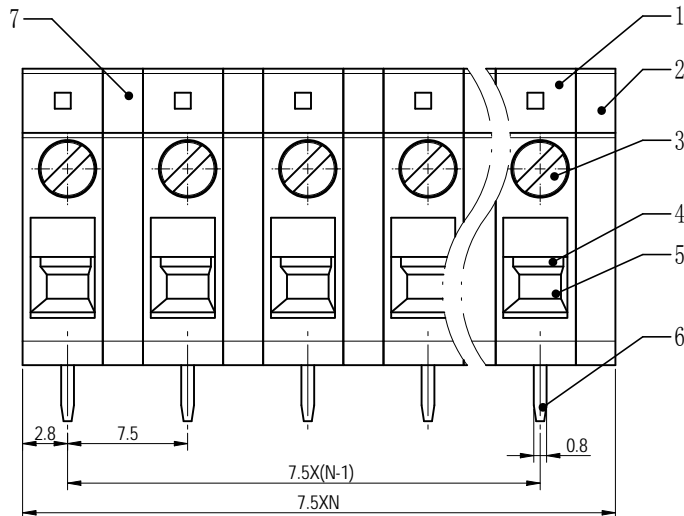
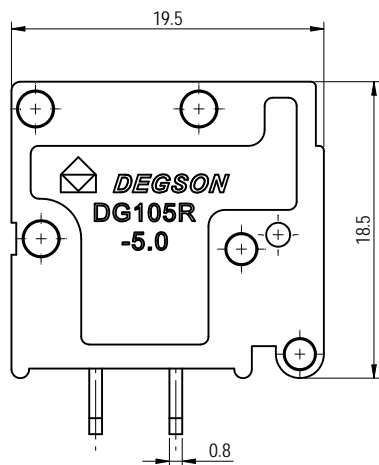
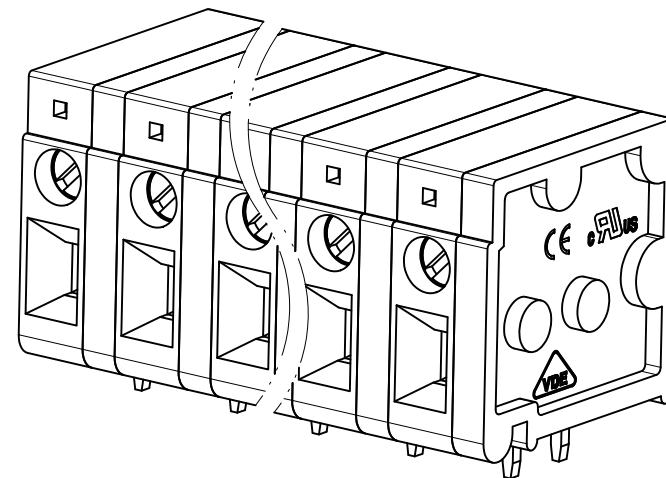
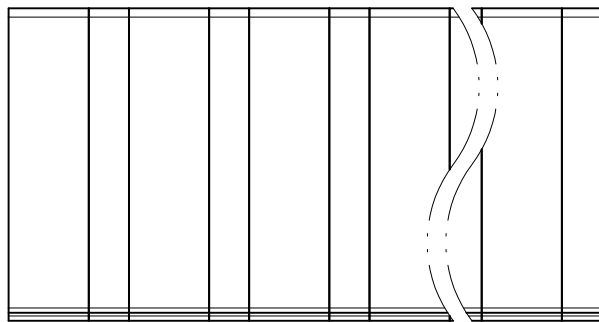
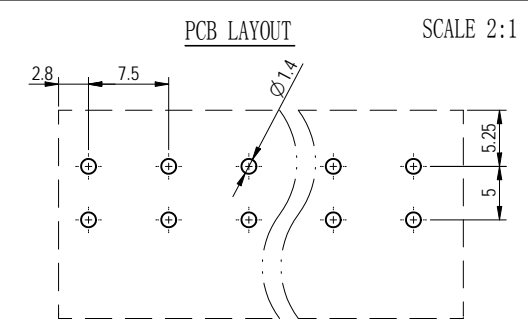


公差/General tolerances (mm)													D
0	>3	>6	>10	>18	>30	>50	>80	>120	>180	>250	>315	>400	
~ 3	~ 6	~ 10	~ 18	~ 30	~ 50	~ 80	~ 120	~ 180	~ 250	~ 315	~ 400	~ 500	~ 500
±0.12	±0.18	±0.22	±0.26	±0.31	±0.37	±0.57	±0.80	±0.93	±1.05	±1.15	±1.60	±2.20	±2.50



Note:  
The A&Z (H) in the name means: A(H) and Z(H).

ITEM	NAME OF PART	MATERIAL	NOTES
7	Clapboard	PA66	UL94V-0
6	Pin header	Copper	Sn Plated
5	Cage	Steel	M2.5/Zn Plated
4	Block	Steel	Zn Plated
3	Screw	Steel	M2.5/Zn Plated
2	Cover	PA66	UL94V-0
1	Housing	PA66	UL94V-0



UL 标准/UL Standard:	B	C	D
额定电压/电流/Rated Voltage(V)/Current(A)	300/20	/	300/10
IEC 标准/IEC Standard:			
过压类别/Overvoltage Category/污染等级/Pollution Degree	III/3	III/2	II/2
额定电压/电流/Rated Voltage(V)/Current(A)	/	450/24	/
工频耐压/Withstanding voltage(V/1Min)	AC2500		
螺丝扭矩/Torque Tightening(N·m/Lb.in)	M2.5: 0.4/3.54		
线径范围(硬线和软线)/Wire Range(rigid and flexible)(AWG/mm²)	30~12 / 0.5~2.5		
间距/Pitch(mm)/线数范围/Poles	7.5/N=02~16P		
剥线长度/Stripping length(mm)	12~13		
使用温度范围/Operating temperature(°C)	-40~+105		

<b>DEGSON</b>		MATERIAL:	SURFACE/COLOR:
APPD: 兰泰华	2022.09.14	MAT NO./REV: / 00	MAT STATUS: 批量

NAME: DG105R-7.5-XXP-1Y-00A&Z(H)	DRAWING NO: 200029031	TYPE: CUSTOMER DRAWING	DRAWING STATUS: 已发布	SCALE: 1:1	SHEET: 1/1
----------------------------------	-----------------------	------------------------	---------------------	------------	------------

REV	ECN	DESCRIPTION	DRFT	DATE
00				2022.09.09

Transfer or duplication of this document as well as the utilization of its contents without the written permission of DEGSON is prohibited. All rights reserved for patent.