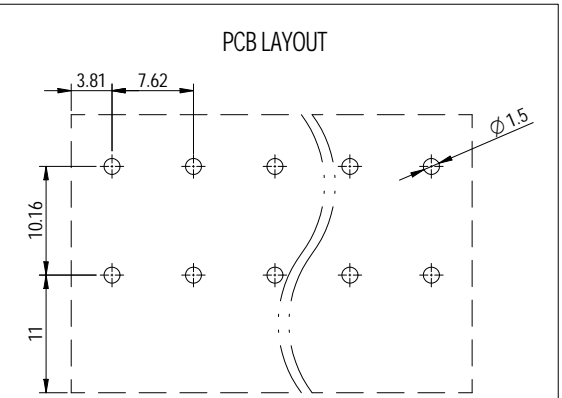
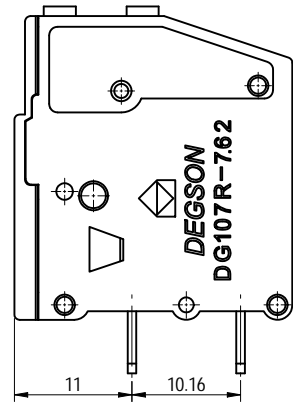
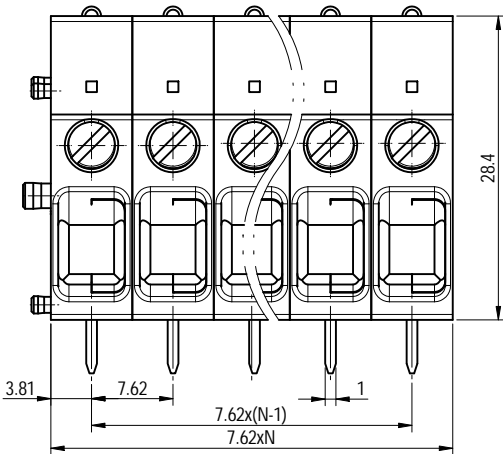
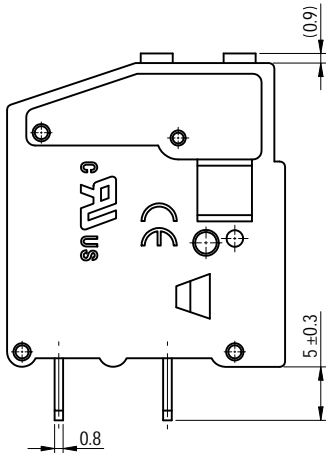
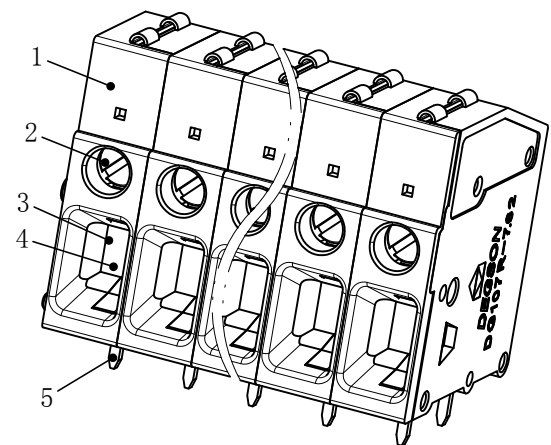
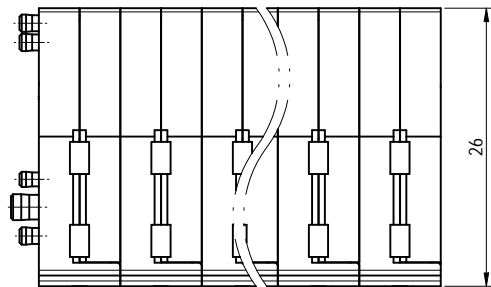


公差/General tolerances (mm)											D 0.1/10		
0	>3	>6	>10	>18	>30	>50	>80	>120	>180	>250		>315	>400
~	~	~	~	~	~	~	~	~	~	~	~	~	~
3	6	10	18	30	50	80	120	180	250	315	400	500	
±0.12	±0.18	±0.22	±0.26	±0.31	±0.37	±0.57	±0.80	±0.93	±1.05	±1.15	±1.60	±2.20	±2.50

Transfer or duplication of this document as well as the utilization of its contents without the written consent of DEKANG is prohibited. All rights reserved for patent.
 本文件及其中所载之内容之复制或传播，或未经许可而使用其内容，均属侵权行为。所有权利保留。



Note:
The A&Z (H) in the name means: A(H) and Z(H).

ITEM	NAME OF PART	MATERIAL	NOTES
5	Pin header	Copper	Sn Plated
4	Slider	Steel	Zn Plated
3	Cage	Steel	M3/Zn Plated
2	Screw	Steel	M3/Zn Plated
1	Housing	PA66	UL94V-0

UL 标准/UL Standard:	B	C	D
额定电压/电流/Rated Voltage(V)/Current(A)	300/30	/	300/10
IEC 标准/IEC Standard:			
过压类别/Overvoltage Category/污染等级/Pollution Degree	III/3	III/2	II/2
额定电压/电流/Rated Voltage(V)/Current(A)	500/32	630/32	1000/32
额定脉冲电压(KV)/Rate Impulse Voltage(KV)	6	6	6
螺丝扭矩/Torque Tightening(N·m/Lb.in)	M3: 0.5/4.43		
线径范围(硬线和软线)/Wire Range(rigid and flexible)(AWG/mm²)	26~10 / 0.5~6.0		
间距/Pitch(mm)/线数范围/Poles	7.62/N=01~16P		
剥线长度/Stripping length(mm)	13~14		
使用温度范围/Operating temperature(°C)	-40~+105		
符合RoHS环保要求/Conform to RoHS	Yes		

MATERIAL:		SURFACE/COLOR:	
MAT NO./REV: -	/ 00	MAT STATUS: 批量	

APPD: 竺春华	2022.12.07	NAME	DG107R-7.62-XXP-1Y-00A&Z(H)		
CHKD: 陈超	2022.12.07	DRAWING NO.	200124140	TYPE	CUSTOMER DRAWING
DRFT: 巴宇辉	2022.12.07	DRAWING STATUS	已发布	SCALE	2:1
REV	ECN	DESCRIPTION	DATE	SHEET	1/1

REV	ECN	DESCRIPTION	DRFT	DATE
00			巴宇辉	2022.12.07