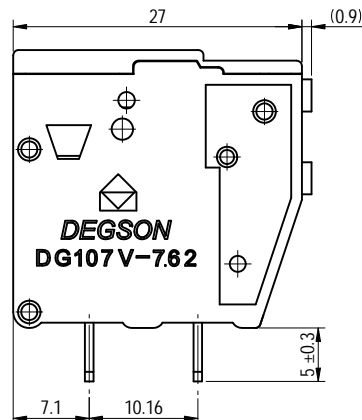
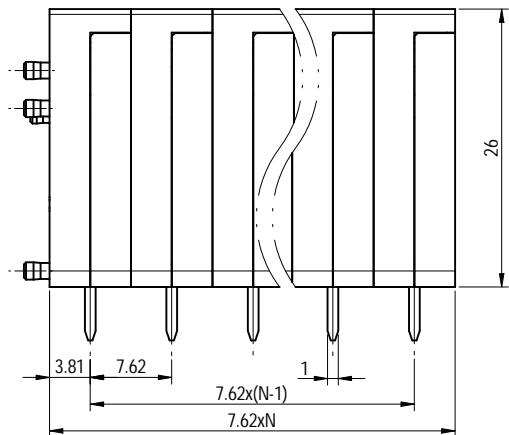
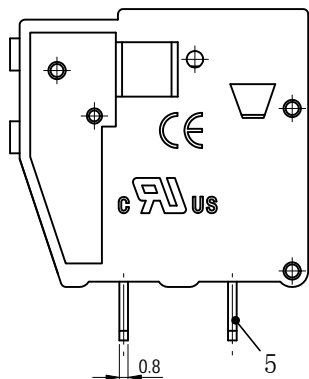
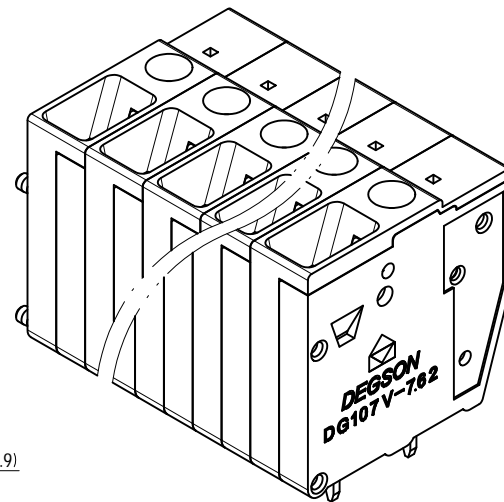
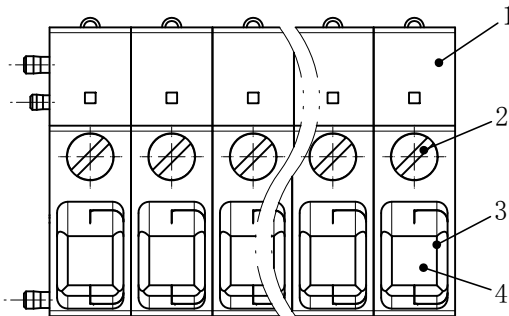


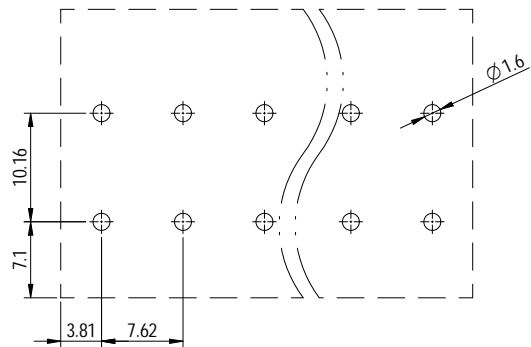
公差/General tolerances (mm)													D 0.1/10	
0	>3	>6	>10	>18	>30	>50	>80	>120	>180	>250	>315	>400		>500
±0.12	±0.18	±0.22	±0.26	±0.31	±0.37	±0.57	±0.80	±0.93	±1.05	±1.15	±1.60	±2.20	±2.50	±2



Note:
The A&Z(H) in the name means: A(H) and Z(H).

ITEM	NAME OF PART	MATERIAL	NOTES
5	Pin header	Copper	Sn Plated
4	Slider	Steel	Zn Plated
3	Cage	Steel	M3/Zn Plated
2	Screw	Steel	M3/Zn Plated
1	Housing	PA66	UL94V-0

PCB LAYOUT



UL 标准/UL Standard:	B	C	D
额定电压/电流/Rated Voltage(V)/Current(A)	300/30	/	300/10
IEC 标准/IEC Standard:			
过压类别/Overvoltage Category/污染等级/Pollution Degree	III/3	III/2	II/2
额定电压/电流/Rated Voltage(V)/Current(A)	500/32	630/32	1000/32
额定脉冲电压(KV)/Rate Impulse Voltage(KV)	6	6	6
螺栓扭矩/Torque Tightening(N·m/Lb.in)	M3: 0.5/4.43		
线径范围(硬线和软线)/Wire Range(rigid and flexible)(AWG/mm²)	26~10/ 0.5~6.0		
间距/Pitch(mm)/线数范围/Poles	7.62/N=02~16P		
剥线长度/Stripping length(mm)	13~14		
使用温度范围/Operating temperature(°C)	-40~+105		
符合RoHS环保要求/Conform to RoHS	Yes		

MATERIAL:		SURFACE/COLOR:	
APPD: 吕泰华	2022.12.12	NAME:	DG107V-7.62-XXP-1Y-00A&Z(H)
CHKD: 陈超	2022.12.12	MAT NO./REV: - / 00	MAT STATUS: 批量
DRAFT: 巴宇辉	2022.12.12	DRAWING NO.:	200124765
REV	ECN	DESCRIPTION	CUSTOMER DRAWING
00		巴宇辉	已发布
REV	DATE	SCALE	2:1
		SHEET	1/1

REV	ECN	DESCRIPTION	DRAFT	DATE
00			巴宇辉	2022.12.12

Transfer or duplication of this document as well as the utilization of its contents without the written consent of DEWISON is prohibited. 未经许可复制或传播本文件及其内容，或在本文件内容的基础上进行二次开发或生产，均属于侵权行为。如有侵权，我们将依法追究。All rights reserved for patent.