

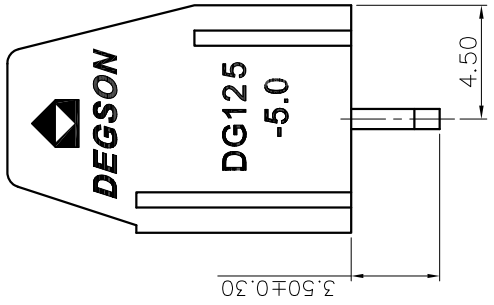
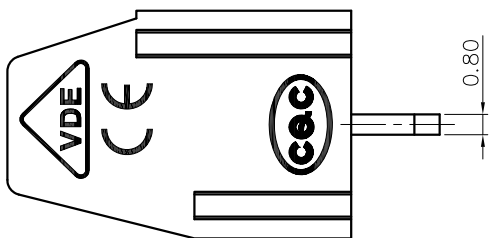
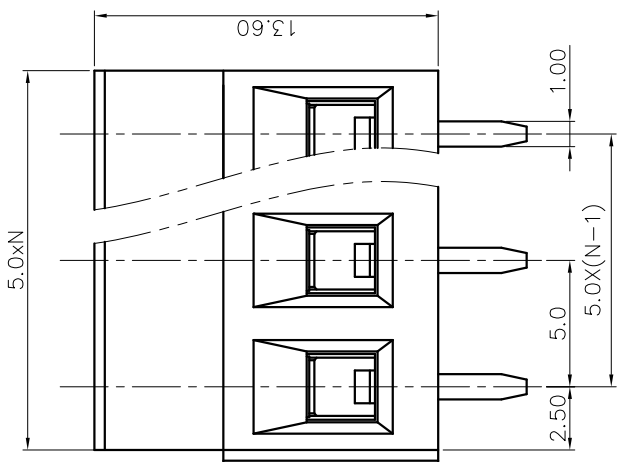
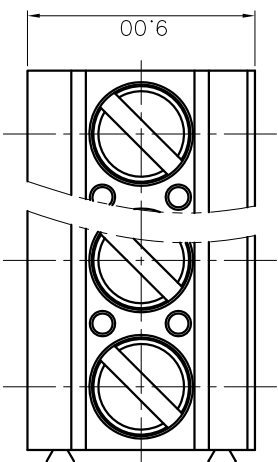
| REVISION RECORD | | | |
|-----------------|-----|-------------|-----------|
| REV | ECN | DESCRIPTION | DRFT DATE |
| | | | |

NOTES1:
 UL Standard
 1.Rated Voltage/Current : 300V / 16A
 2.Torque Value : M2.5 , 3.54lb.in
 3.Wire Range : 26~12AWG

IEC Standard
 1.Rated Voltage/Current : 250V / 18A
 2.Torque Value : M2.5 , 0.4N.m
 3.Wire Range : 0.5~2.5mm²

NOTES2:
 1.Dimension shall be interpreted per ASME Y14.5-2009
 2.Pitch : 5.0mm, Poles : N=02~XXP
 3.Stripping length : 6~7mm
 4.Withstanding Voltage : AC2000V/1min.
 5.Operating temperature: -40°C~+105°C
 6.Undimensioned Tolerances:
 7.RoHS Compliance

| Pitch range in mm | Nominal dimension in mm | Over | Over | Over | Over |
|-------------------|-------------------------|-------|-------|-------|-------|
| 6 TO 10 | 6 TO 10 | 30 | 60 | 100 | 150 |
| 6 TO 10 | 24 TO 30 | 60 | 100 | 150 | < |
| ±0.15 | | ±0.20 | ±0.30 | ±0.50 | ±0.70 |
| | | ±1.00 | ±1.00 | ±1.30 | ±2 |

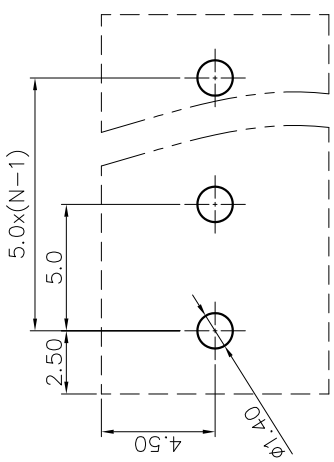


$DG125 - 5.0 - XXP - 1Y - 00A (H)$
 (Series No.) (Pitch) (Poles) (RoHS)
 (Single Pitch) 00A-(Standard)

(Color): 1.(Grey)2.(Blue)3.(Black)4.(Green)5.(Orange)
 6.(Red)7.(Transparent)8.(Yellow)9.(White)

DETACHED LISTS

| | |
|------------------------|-----------------------------------|
| PART NO.: | / |
| APPD.: | / |
| CHKD.: | / |
| DRFT.: | / |
| THIRD ANGLE PROJECTION | |
| NAME: | NINGBO DEGSON ELECTRICAL CO., LTD |
| TITLE: | CUSTOMER DRAWING |
| DRAWING NO.: | DG125-5.0-XXP-1Y-00A(H) |
| DO NOT SCALE | SCALE |
| 1:1 | 1:1 |



PCB LAYOUT