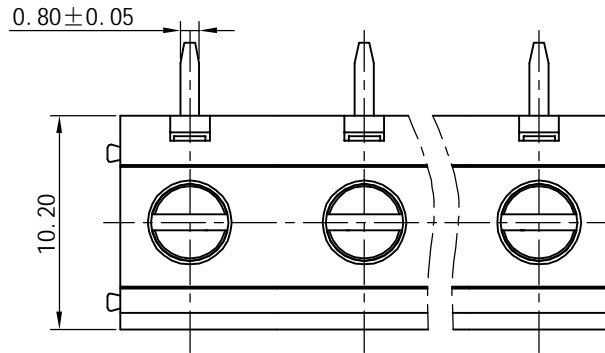


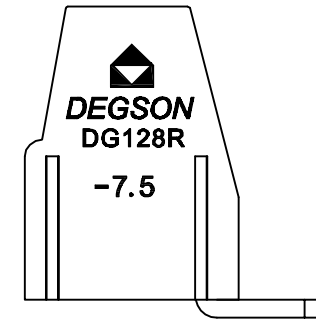
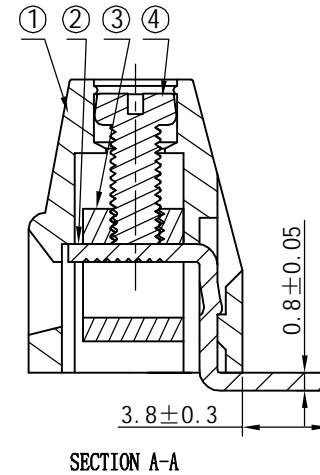
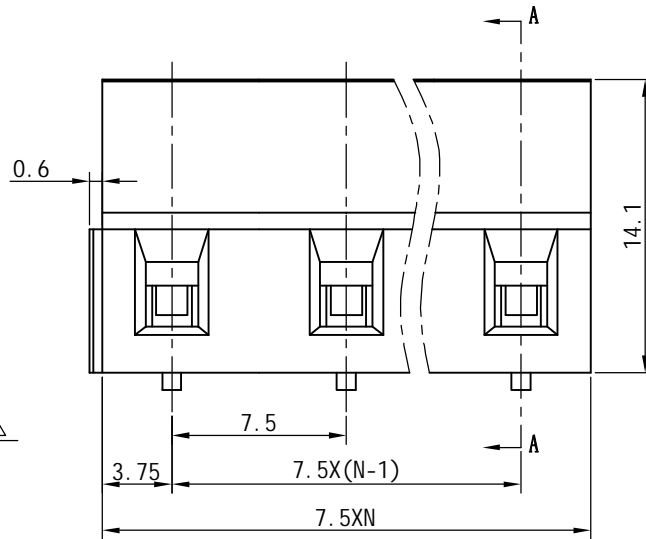
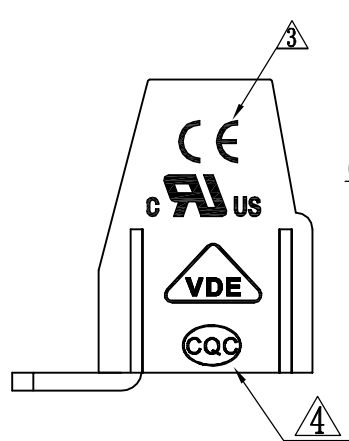
REVISION RECORD				
REV	BCN	DESCRIPTION	DEPT	DATE
△		Drawing Revise	Haoyh	03/27/06
△		增加VDE、CE标志	LJH	11/12/07
△		增加CQC标志	YeJ	02/10/09
△	10-0246	UL电流由10A变更为15A	Lasting	08/05/10



Notes:

1. Pitch: 7.5mm, Poles: 2-XXP
2. Rated voltage/current: UL 300V/15A △
VDE 450V/18A
3. Operation temperatures: -40°C ~ +105°C
4. Withstanding Voltage: AC2000V/1Min
5. Insulation Resistance: 5000MΩ/DC1000V
6. Wire Range: 12~24AWG, 2.5mm²
7. Max. Torque Value: M2.5, 4.08kgf.cm
8. Undimensioned Tolerances:

Pitch range in mm		Nominal dimension range in mm				—
to	over	to	over	to	over	
6	6 to 10	10 to 24	30 to 60	60 to 100	100 to 150	∩
±0.10	±0.15	±0.25	±0.2	±0.3	±0.5	±0.7
						±1.0
						0.05/10



4	DG128 "—" Screw	S000001460 (H)	XX	Steel	Cr ³⁺ Zn
3	DG128 Cage	X000000020 (H)	XX	Brass	Ni plated
2	DG128R Pin header	4027B00030 (H)	XX	Brass	SnCe

ITEM	NAME OF PART	NO. OF PART	Q'TY	MATERIAL	NOTES
1	DG128-7.5 Housing	4097A0YXXA (H)	1	PA66	UL94V-0

MM (INCH)	DATE 09/23/06	DEGSO N 宁波高正电子有限公司 DEGSO N ELECTRONICS CO., LTD	
CHD DATE	NAME		
MFO DATE	DG128R-7.5-XXP-1Y-00A (H)		
APPL DATE	DRAWING NO. DG128R-7.5-E02		
MATERIAL :	/PART NO.		
ANGLES ± 1°	G. E. :		
FINISH :	DO NOT SCALE DRAWING		
SCALE : 1:1	SHEET 1 OF 1		