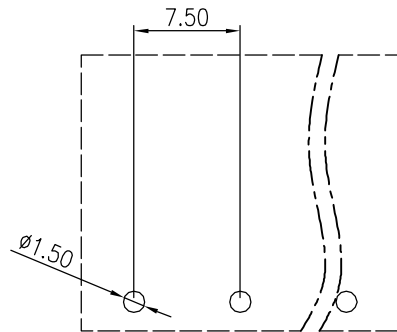
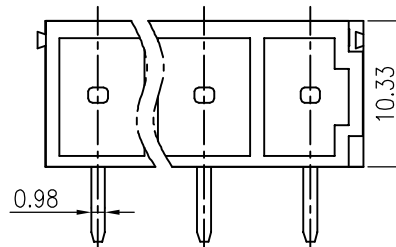
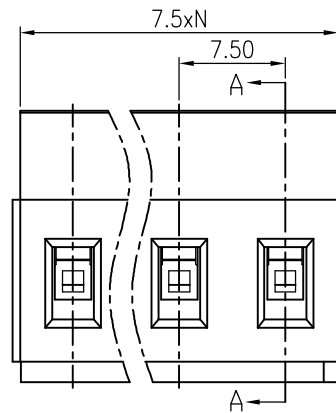
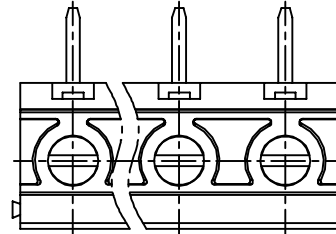
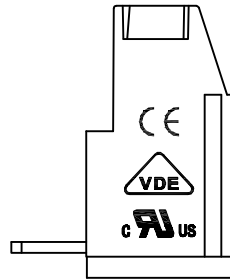


REVISION RECORD				
REV	ECD	DESCRIPTION	DRFT	DATE
△		修改出脚尺寸5.3为5.4	LJH	04/25/08

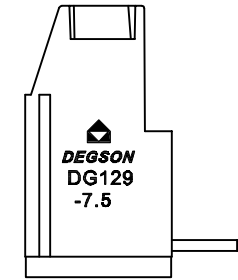
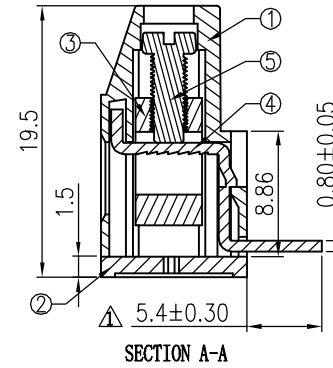
Notes:

1. Pitch: 7.5mm, Poles: 2-XXP
2. Rated voltage/current: UL 300V/20A
VDE 450V/20A
3. Operation temperatures: -40°C ~ +105°C
4. Withstanding Voltage: AC2000V/1min
5. Insulation Resistance: 5000MΩ / DC1000V
6. Wire Range: 26~12AWG, 0.5~2.5mm²
7. Max. Torque Value: M3, 5.1kgf.cm
8. Undimensioned Tolerances:

Pitch range in mm		Nominal dimension range in mm					
to 6	over 6 to 10	over 10 to 24	to 30	over 30 to 60	over 60 to 100	over 100 to 150	
±0.10	±0.15	±0.25	±0.2	±0.3	±0.5	±0.7	±1.0
							0.05/0



TOP VIEW-LAYOUT



ITEM	NAME OF PART	NO. OF PART	Q'TY	MATERIAL	NOTES
5	DG129 M3"-Screws	S000001430 (H)	XX	Steel	Cr ³⁺ Zn
4	DG129R Pin	4034B00010 (H)	XX	Barss	SnCe
3	DG129-Cage	X000000200 (H)	XX	Barss	Ni plated
2	DG129-7.5-Cover	4110COYXXA (H)	1	PA66	UL94V-0
1	DG129R-7.5-XXP-1Y-00A Housing	4111AOYXXA (H)	1	PA66	UL94V-0

DETACHED LISTS		TOLERANCES EXCEPT AS NOTED		MATERIAL		FINISH		SCALE	
MM	±	MM	±	APPVL	DATE	G.E.		SCALE: 1:1	
.0 ±		.00 ±							
.000 ±		.000 ±							
ANGLES ± 1°		THIRD ANGLE PROJECTION		DO NOT SCALE DRAWING		SHEET 1 OF 1			

DEGSO® 宁波高正电子有限公司
DEGSO ELECTRONICS CO., LTD

NAME: DG129R-7.5-XXP-1Y-00A(H)

DRAWING NO. DG129R-7.5-E03 SIZE A3 REV T1 04/25/09