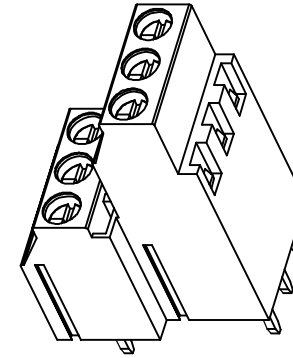
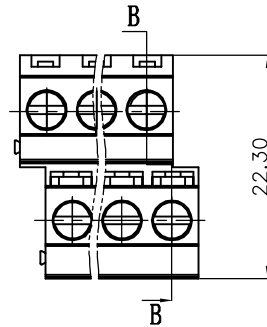
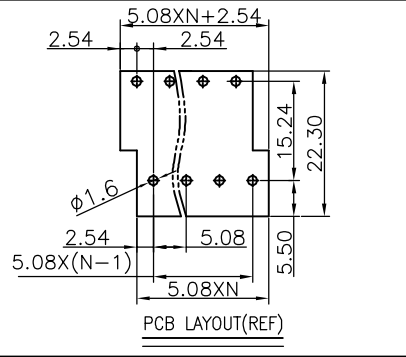
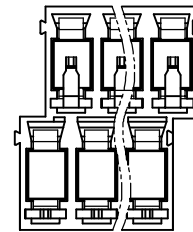
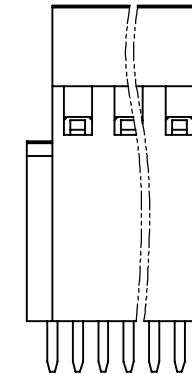
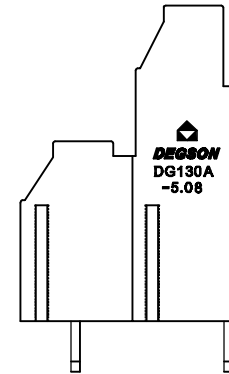
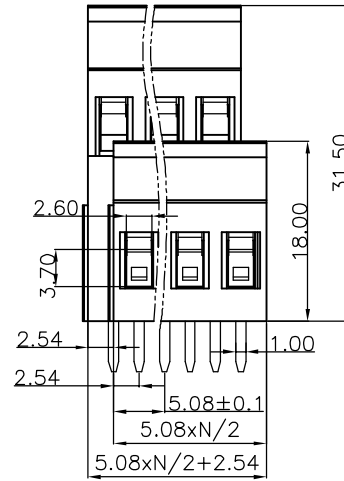
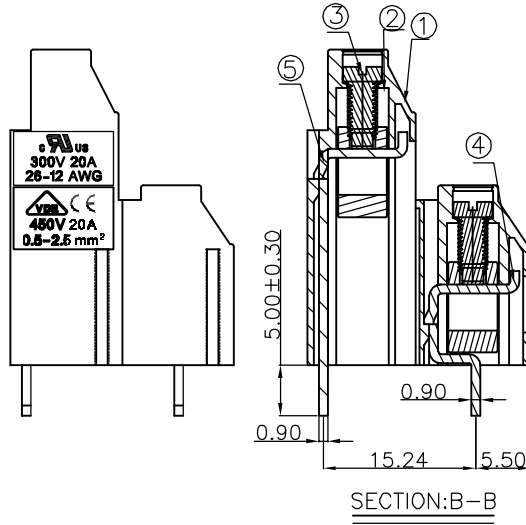


REVISION RECORD				
REV	ECO	DESCRIPTION	DRFT	DATE
△	10-0127	增加UL刻字及参数	Lasting	05.15.10



H
G
F
E
D
C



Notes:

1. Pitch: 5.08mm, Poles: 4-XXP
2. Rated voltage/current: UL 300V/20A
IEC 450V/20A
3. Operation temperatures: -40°C ~ +105°C
4. Withstanding Voltage: AC2000V/1min
5. Insulation Resistance: 5000MΩ/DC1000V
6. Wire Range: 26~12AWG, 2.5mm²
7. Max. Torque Value: M3, 5.1kgf.cm
8. Undimensioned Tolerances:

Pitch range in mm		Nominal dimension range in mm						
	over 6	over 10	over 30	over 60	over 100	over 150	∩	
to 6	to 10	to 24	to 30	to 60	to 100	to 150	∇	
±0.10	±0.15	±0.25	±0.2	±0.3	±0.5	±0.7	±1.0	
							0.05/10	

ITEM	NAME OF PART	NO. OF PART	Q'TY	MATERIAL	NOTES
5	DG130H-Pin header	4125B00010 (H)	XX/2	Copper	SnCe plated
4	DG130-Pin header	4087B00010 (H)	XX/2	Brass	SnCe plated
3	DG129-Screws-M3	S000001430 (H)	XX	Steel	C ³⁺ Zn
2	DG129-Cage	X000000200 (H)	XX	Brass	Ni plated
1	DG130A-5.08-Housing	4130A0YXXA (H)	1	PA66	UL94V-0

DETACHED LISTS	MM (INCH)	DFTO LINDA	DATE 09/05/08	宁波高正电子有限公司 DEGSON ELECTRONICS CO., LTD
	TOLERANCES EXCEPT AS NOTED	CHKD	DATE	
		MFO	DATE	
		APPVL	DATE	
	MM	MATERIAL :		NAME
	.0 ±			DG130A-5.08-XXP-1Y-00A(H)
	.00 ±			DRAWING NO. DG130A-5.08-E01
	.000 ±			/PART NO.
	ANGLES ± 1°	G.E :		SIZE A3
	THIRD ANGLE PROJECTION	FINISH :		REV T1
		SCALE : 1:1		05/15/10
		DO NOT SCALE DRAWING		SHEET OF