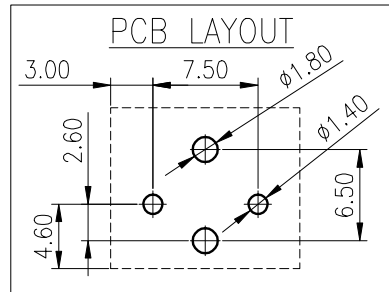
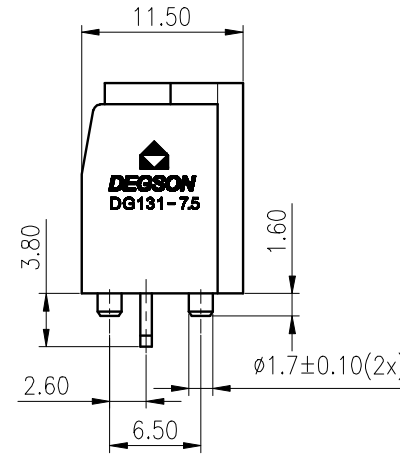
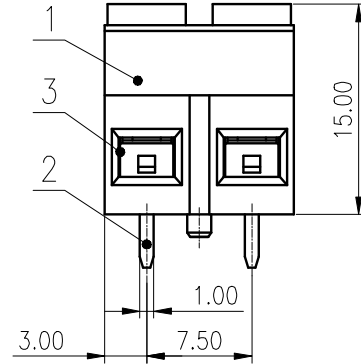
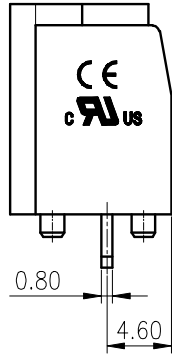
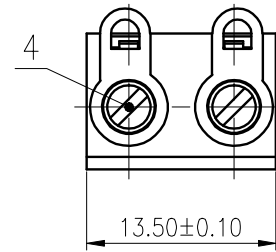


公差/General tolerances(mm)											0.1/10 ±2'		
0~3	>3~6	>6~10	>10~18	>18~30	>30~50	>50~80	>80~120	>120~180	>180~250	>250~315		>315~400	>400~500
±0.12	±0.18	±0.22	±0.26	±0.31	±0.37	±0.57	±0.80	±0.93	±1.05	±1.15	±1.60	±2.20	±2.50



4	Screw	Steel	M3/Zn Plated
3	Cage	Copper alloy	M3/Ni Plated
2	Pin Header	Copper alloy	Sn Plated
1	Housing	PA66	UL94V-0
ITEM	NAME OF PART	MATERIAL	NOTES
UL 标准/UL Standard:		B	C
额定电压/电流/Rated Voltage(V)/Current(A)		300/20	300/10
IEC 标准/IEC Standard:			
过压类别/Overvoltage Category/污染等级/Pollution Degree		III/3	III/2
额定电压/电流/Rated Voltage(V)/Current(A)		400/18	630/18
额定脉冲电压(KV)/Rate Impulse Voltage(KV)		6	6
螺丝扭矩/Torque Tightening(N·m/Lb.in)		M3, 0.5/4.5	
线径范围(硬线和软线)/Wire Range(rigid and flexible)(mm ² /AWG)		0.2~2.5/24~12	
间距/Pitch(mm)/线数范围/Poles		7.50/02P	
剥线长度/Stripping length(mm)		6~7	
使用温度范围/Operating temperature(°C)		-40~+105	
符合RoHS环保要求/Conform to RoHS		Yes	
标准颜色编号/Standard color number:		PANTONE / RAL	

MATERIAL:	SURFACE:		
MAT NO.:	/		
STATUS:	/		
APPD: Li GL 2020.06.22	NAME: 宁波高松电子有限公司 NINGBO DEGSON ELECTRICAL CO., LTD		
CHKD: Mao J 2020.06.22	DG131-7.5-02P-1Y-00A(H)		
DRFT:Wang LX 2020.06.22	DRAWING NO.: DG131-7.5-C01		REV T1
④	SIZE: A4	TYPE: CUSTOMER DRAWING	SCALE: 2:1 SHEET 1/1

REV	ECN	DESCRIPTION	DRFT	DATE