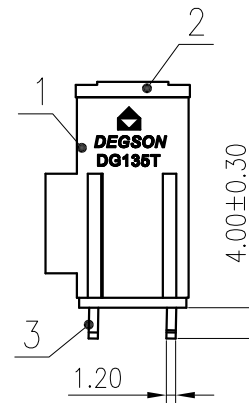
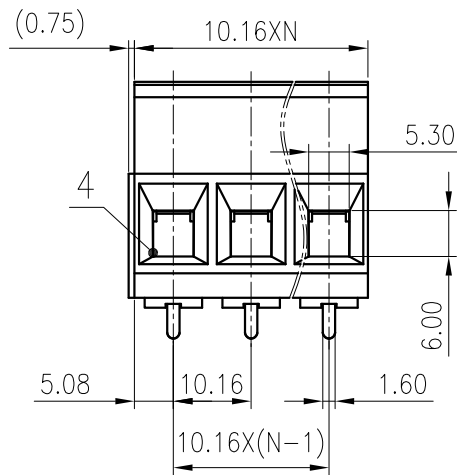
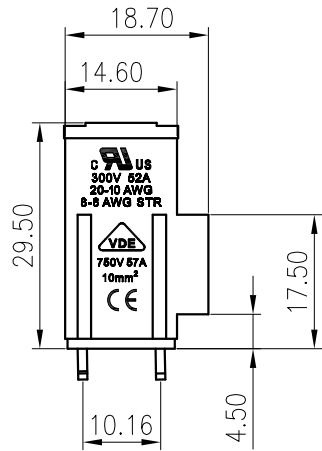
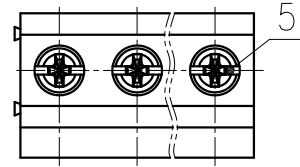


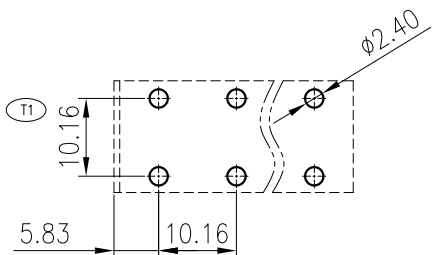
未注公差/General tolerances(mm)													0.1/10	
0	>3	>6	>10	>18	>30	>50	>80	>120	>180	>250	>315	>400		>500
~3	~6	~10	~18	~30	~50	~80	~120	~180	~250	~315	~400	~500	~2.50	±2'
±0.12	±0.18	±0.22	±0.26	±0.31	±0.37	±0.57	±0.80	±0.93	±1.05	±1.15	±1.60	±2.20	±2.50	±2'



ITEM	NAME OF PART	MATERIAL	NOTES
5	Screw	Steel	M4/Zn Plated
4	Cage	Copper alloy	M4/Ni Plated
3	Pin header	Copper	Sn Plated
2	Cover	PBT	UL94V-0
1	Housing	PBT	UL94V-0

UL 标准/UL Standard:	B	C	D
额定电压/电流/Rated Voltage(V)/Current(A)	300/52	300/52	600/5
IEC 标准/IEC Standard:			
过压类别/Overvoltage Category/污染等级/Pollution Degree	III/2		
额定电压/电流/Rated Voltage(V)/Current(A)	750/57		
工频耐压/Withstanding voltage	AC3000V/1Min		
螺丝扭矩/Torque Tightening(N·m/Lb.in)	M4, 1.2/10.53		
线径范围(硬线和软线)/Wire Range(rigid and flexible)(mm ² /AWG)	4~10/20~6		
间距/Pitch(mm)/线数范围/Poles	10.16/N=2~12P		
剥线长度/Stripping length(mm)	11-12		
使用温度范围/Operating temperature(°C)	-30~+120		
符合RoHS环保要求/Conform to RoHS	Yes		

PCB LAYOUT



REV	ECN	DESCRIPTION	DRFT	DATE
T1		1xCorrect PCB board size	Ba YH	2022.04.11

MATERIAL: /	SURFACE: /		
MAT NO.: /	宁波高松电子有限公司 NINGBO DEGSON ELECTRICAL CO., LTD		
STATUS: /			
APPD: LanChH 2022.04.11	NAME: DG135T-10.16-XXP-1Y-00A(H)		
CHKD: ChenZh 2022.04.11	DRAWING NO.: 10002031		
DRFT: BaYH 2020.05.16	REV: T1		SHEET: 1/1
SIZE: A4		TYPE: CUSTOMER DRAWING	SCALE: 1:1