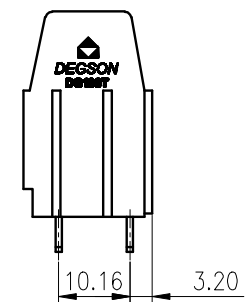
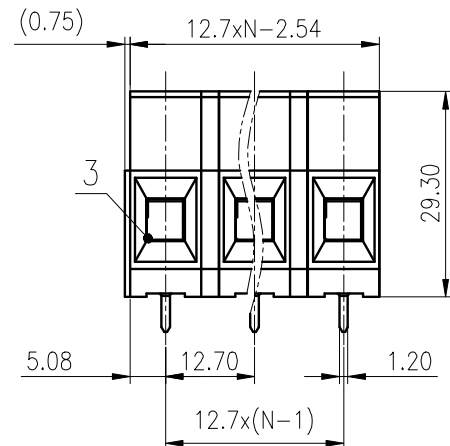
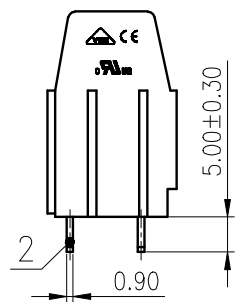
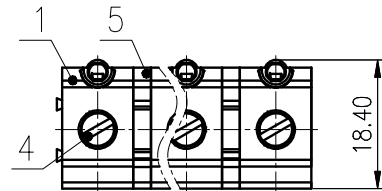
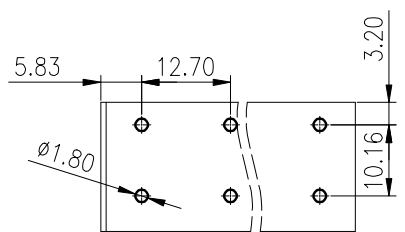


公差/General tolerances(mm)											0.1/10 ±2'		
0	>3	>6	>10	>18	>30	>50	>80	>120	>180	>250		>315	>400
±0.12	±0.18	±0.22	±0.26	±0.31	±0.37	±0.57	±0.80	±0.93	±1.05	±1.15	±1.60	±2.20	±2.50



PCB LAYOUT



5	Clapboard	PA66	UL94V-0
4	Screw	Copper alloy	M4/Ni Plated
3	Cage	Copper alloy	M4/Ni Plated
2	Pin header	Copper	Sn Plated
1	Housing	PA66	UL94V-0
ITEM	NAME OF PART	MATERIAL	NOTES

UL 标准/UL Standard:	B	C	D
额定电压/电流/Rated Voltage(V)/Current(A)	600/60	600/60	/
IEC 标准/IEC Standard:			
过压类别/Overvoltage Category/污染等级/Pollution Degree	III/2		
额定电压/电流/Rated Voltage(V)/Current(A)	1000/65		
工频耐压/Withstanding voltage(V/1Min)	AC3500		
螺丝扭矩/Torque Tightening(N·m/Lb.in)	M4, 1.2/10.53		
线径范围(硬线和软线)/Wire Range(rigid and flexible)(mm <sup>2</sup> /AWG)	2.5~16/20~6		
间距/Pitch(mm)/线数范围/Poles	12.7/N=2~12P		
剥线长度/Stripping length(mm)	10~11		
使用温度范围/Operating temperature(°C)	-40~+105		
符合RoHS环保要求/Conform to RoHS	Yes		

MATERIAL: /	SURFACE: /		
MAT NO.: /	<b>宁波高松电子有限公司</b> <b>NINGBO DEGSON ELECTRICAL CO., LTD</b>		
STATUS: /			
APPD: LanChH 2020.05.16	NAME: <b>DG136T-12.7-XXP-1Y-00A(H)</b>		
CHKD: YuJZh 2020.05.16	DRAWING NO.: DG136T-12.7-C01		
DRFT: Baron 2018.07.26	REV	T1	
SIZE: A4                  TYPE: CUSTOMER DRAWING         SCALE: 1:1         SHEET 1/1			

REV	ECN	DESCRIPTION	DRFT	DATE