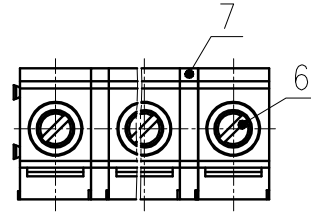
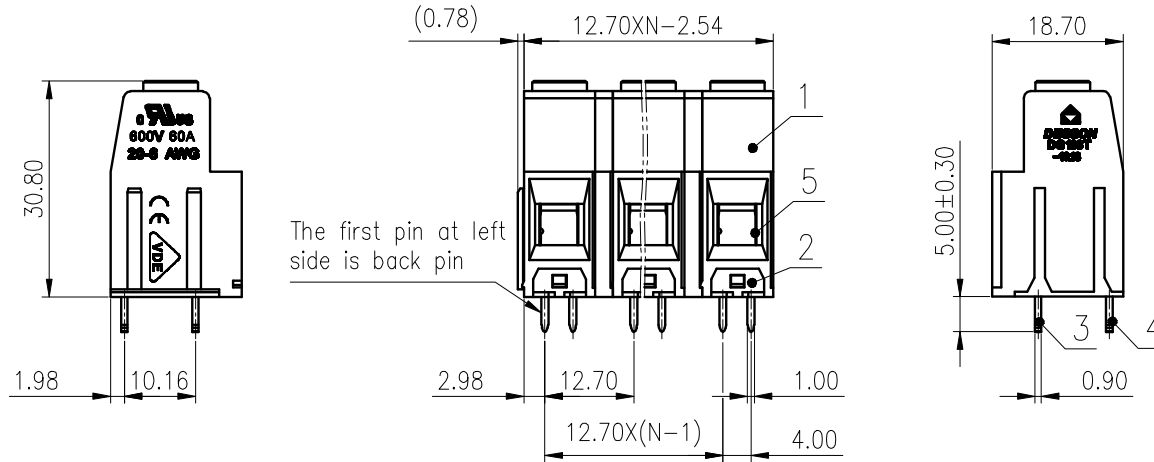


| 公差/General tolerances(mm) | | | | | | | | | | | 0.1/10 | | |
|---------------------------|-------|-------|-------|-------|-------|-------|-------|-------|-------|-------|--------|-------|-------|
| 0 | >3 | >6 | >10 | >18 | >30 | >50 | >80 | >120 | >180 | >250 | | >315 | >400 |
| ~3 | ~6 | ~10 | ~18 | ~30 | ~50 | ~80 | ~120 | ~180 | ~250 | ~315 | ~400 | ~500 | ~2.50 |
| ±0.12 | ±0.18 | ±0.22 | ±0.26 | ±0.31 | ±0.37 | ±0.57 | ±0.80 | ±0.93 | ±1.05 | ±1.15 | ±1.60 | ±2.20 | ±2.50 |

A



B



The first pin at left side is back pin

C

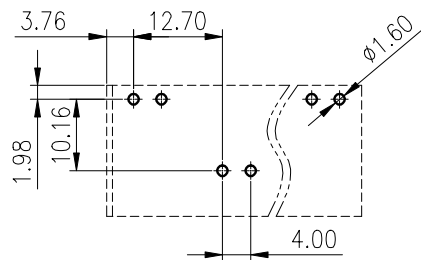
| ITEM | NAME OF PART | MATERIAL | NOTES |
|------|--------------|--------------|--------------|
| 7 | Clapboard | PA66 | UL94V-0 |
| 6 | Screw | Copper alloy | M4/Ni Plated |
| 5 | Cage | Copper alloy | M4/Ni Plated |
| 4 | Pin header 1 | Copper | Sn Plated |
| 3 | Pin header 2 | Copper | Sn Plated |
| 2 | Cover | PA66 | UL94V-0 |
| 1 | Housing | PA66 | UL94V-0 |

C

| UL 标准/UL Standard: | B | C | D |
|--|---------------|--------|---|
| 额定电压/电流/Rated Voltage(V)/Current(A) | 600/60 | 600/60 | / |
| IEC 标准/IEC Standard: | | | |
| 过压类别/Overvoltage Category/污染等级/Pollution Degree | III/2 | | |
| 额定电压/电流/Rated Voltage(V)/Current(A) | 1000/76 | | |
| 工频耐压/Withstanding voltage(V/1Min) | AC3500 | | |
| 螺丝扭矩/Torque Tightening(N·m/Lb.in) | M4, 1.2/10.53 | | |
| 线径范围(硬线和软线)/Wire Range(rigid and flexible)(mm ² /AWG) | 0.5~16/20~6 | | |
| 间距/Pitch(mm)/线数范围/Poles | 12.70/N=2~12P | | |
| 剥线长度/Stripping length(mm) | 13-14 | | |
| 使用温度范围/Operating temperature(°C) | -40~+105 | | |
| 符合RoHS环保要求/Conform to RoHS | Yes | | |

D

PCB LAYOUT



| | | | |
|---|---|----|--|
| MATERIAL: / | SURFACE: / | | |
| MAT NO.: / | 宁波高松电子有限公司 NINGBO DEGSON ELECTRICAL CO., LTD | | |
| STATUS: / | | | |
| APPD: LanChH 2020.05.20 | NAME: DG138T-12.7-XXP-1Y-00A(H) | | |
| CHKD: YuJZh 2020.05.20 | DRAWING NO.: DG138T-12.7-C01 | | |
| DRFT: Jay.z 2014.03.21 | REV | T2 | |
| SIZE: A4 TYPE: CUSTOMER DRAWING SCALE: 1:1 SHEET 1/1 | | | |

| REV | ECN | DESCRIPTION | DRFT | DATE |
|-----|-----|-------------|------|------|
| | | | | |

1

2

3

4

5

6