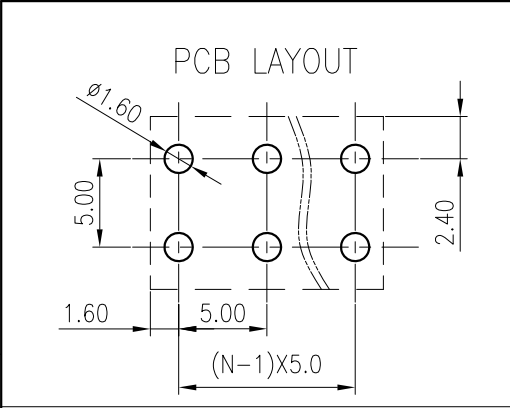


未注公差/General tolerances(mm)												0.1/10	
0	>3	>6	>10	>18	>30	>50	>80	>120	>180	>250	>315		>400
~3	~6	~10	~18	~30	~50	~80	~120	~180	~250	~315	~400	~500	>500
±0.12	±0.18	±0.22	±0.26	±0.31	±0.37	±0.57	±0.80	±0.93	±1.05	±1.15	±1.60	±2.20	±2.50

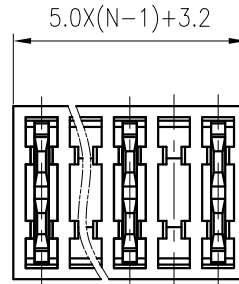
A

A



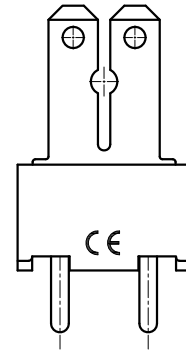
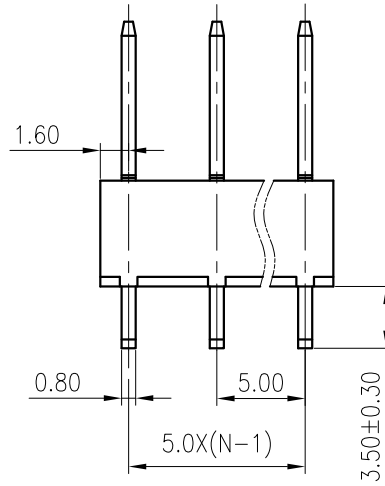
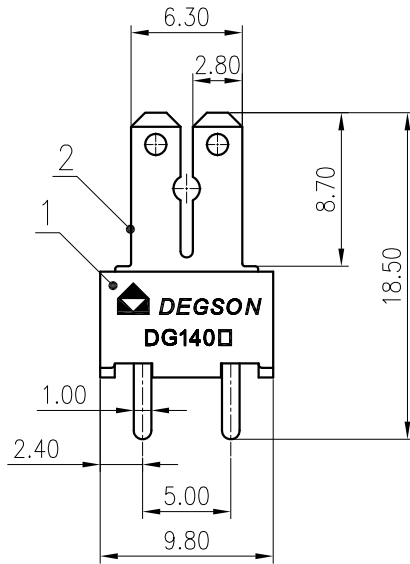
B

B



C

C



D

D

2	Pin header	Copper alloy	Sn Plated
1	Housing	PA66	UL94V-2
ITEM	NAME OF PART	MATERIAL	NOTES
UL 标准/UL Standard:		B	C
额定电压/电流/Rated Voltage(V)/Current(A)		300/15	300/10
EC 标准/IEC Standard:			
额定电压/电流/Rated Voltage(V)/Current(A)		630V/24A	
工频耐压电压(V/Min)/Withstanding Voltage(V/Min)		AC3000	
线数范围/Poles		N=02~19P	
使用温度范围/Operating temperature(°C)		-40~+75	
符合RoHS环保要求/Conform to RoHS		Yes	

MATERIAL:	SURFACE:		
MAT NO.: /	宁波高松电子有限公司 NINGBO DEGSON ELECTRICAL CO., LTD		
STATUS: /			
APPD: Lan ChH 2020.05.18	NAME: DG140V-5.0-XXP-1Y-00A(H)		
CHKD: /	DRAWING NO.: 10002005		
DRFT: jiangX 2013.03.12	REV	TO	
SIZE: A4	TYPE: CUSTOMER DRAWING	SCALE: 2.5:1	SHEET 1/1

REV	ECN	DESCRIPTION	DRFT	DATE