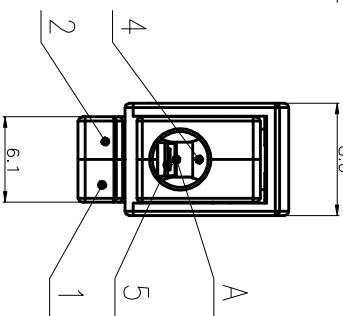
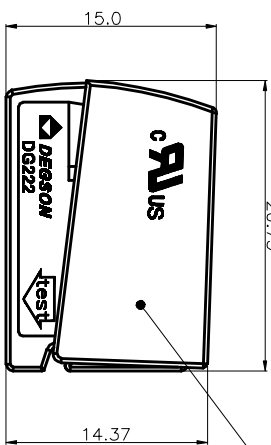
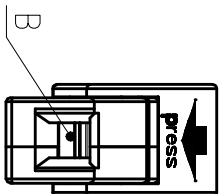
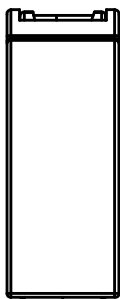
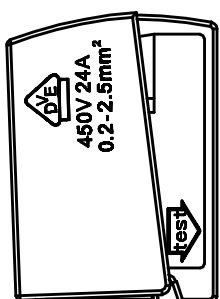


| 公差等级/General Tolerances(mm) | | 公差等级/General Tolerances(mm) | | | | | | | | | | 公差等级/General Tolerances(mm) | |
|-----------------------------|-------|-----------------------------|-------|-------|-------|-------|-------|-------|-------|-------|-------|-----------------------------|--------------|
| 0 | >3 | >6 | >10 | >18 | >30 | >50 | >80 | >120 | >180 | >280 | >315 | >400 | 0.1/10 ±Z |
| ~ | ~ | ~ | ~ | ~ | ~ | ~ | ~ | ~ | ~ | ~ | ~ | ~ | |
| 3 | 6 | 10 | 18 | 30 | 50 | 80 | 120 | 180 | 280 | 315 | 400 | 500 | ±Z |
| ±0.12 | ±0.18 | ±0.22 | ±0.26 | ±0.31 | ±0.37 | ±0.57 | ±0.80 | ±0.93 | ±1.05 | ±1.15 | ±1.60 | ±2.20 | ±2.50 |



| | | | |
|------|-----------------|-----------------|-----------|
| 5 | Current carrier | Copper | Sn Plated |
| 4 | Spring | Stainless Steel | |
| 3 | Cover | PA66 | UL94V-0 |
| 2 | Housing 2 | PA66 | UL94V-0 |
| 1 | Housing 1 | PA66 | UL94V-0 |
| ITEM | NAME OF PART | MATERIAL | NOTES |

| | | | |
|---|----------------------|-----------------|----------|
| UL 标准 / UL Standard: | B | C | D |
| 额定电压/电涌 / Rated Voltage(V)/Current(A) | 300/22 | / | 300/10 |
| IEC 标准 / IEC Standard: | | | |
| 过压类别 / Overvoltage Category / 污染等级 / Pollution Degree | / | III/2 | / |
| 额定电压/电涌 / Rated Voltage(V)/Current(A) | / | 450/24 | / |
| 工频耐压 / Withstanding Voltage(V)/Min | / | AC2500 | / |
| 线径范围(裸线剥线域) / Wire Range(rigid and flexible)(mm² / AWG) | A:1.0~2.5/14~12(Sol) | B:0.2-2.5/12-22 | 8.00/01P |
| 间距 / Pitch(mm) / 剥线范围 / Stripping length(mm) | 9-11 | -40~+105 | Yes |
| 符合 RoHS 要求 / Conform to RoHS | Yes | | |
| 标准颜色编号 / Standard color number: | / | | |
| PANTONE / RAL | / | | |

MATERIAL: SURFACE:

MAT NO.: /
 STATUS: /
 APPD: Li GL 2020.06.15
 CHKD: Moo J 2020.06.15
 DRT:Wang LX 2020.06.15
 NAME: **DEGSON® NINGBO DEGSON ELECTRICAL CO., LTD**
DG222-8.0-01P-1Y-00A(H)

DRAWING NO.: DG222-8.0-C01
 TYPE: CUSTOMER DRAWING
 SCALE: 2:1
 SHEET 1/1

| REV | ECN | DESCRIPTION | DRT | DATE |
|-----|-----|-------------|-----|------|
| 1 | 2 | 3 | 4 | 5 |