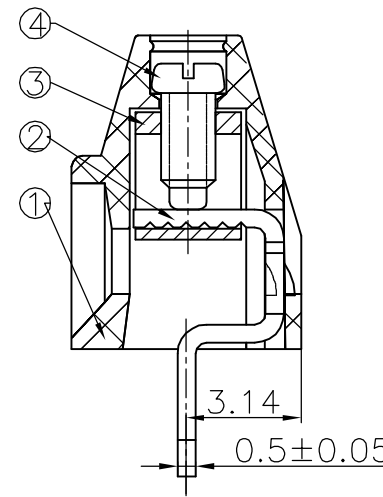
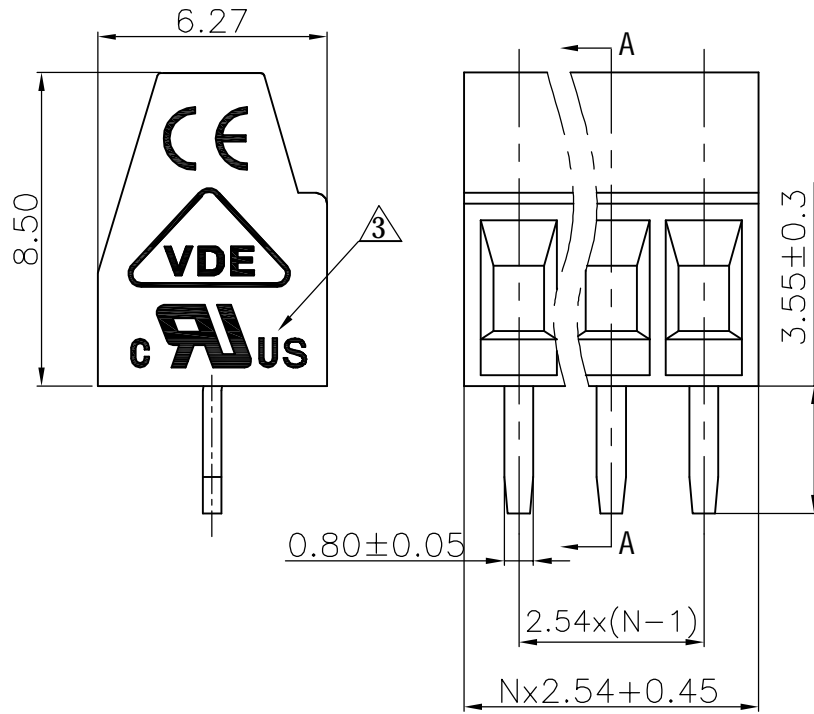


REVISION RECORD				
REV	ECN	DESCRIPTION	DRFT	DATE
△		Drawing Revise	Haoyh	03/23/06
△		增加UL刻字	CSX	10/04/06
△		增加VDE刻字	CSX	10/24/07
△		品名、料号增加环保标示“(H)”	CSX	12/10/07
△	10-0047	铜方块品名变更	Mickey	03/23/10*

Notes:

- Pitch: 2.54mm
- Rated voltage/current: UL 150V/6A
VDE 130V/8A
- Operation temperatures: -40°C ~ +105°C
- Withstanding Voltage: AC2000V/1Min
- Insulation Resistance: 5000MΩ / DC1000V
- Wire Range: 26-18AWG, 1.0mm²
- Max. Torque Value: 1.5kgf.cm
- Undimensioned Tolerances:

Pitch range in mm		Nominal dimension range in mm					—
to	over	over	to	over	over	over	—
6	6 to 10	10 to 24	30 to 60	60 to 100	100 to 150	150	∩
±0.10	±0.15	±0.25	±0.2	±0.3	±0.5	±0.7	±1.0
							0.05/10



ITEM	NAME OF PART	NO. OF PART	Q'TY	MATERIAL	NOTES
1	DG308-Housing	4024A0YXXA (H)	1	PA66	UL94V-0
3	DG308-Cage	X000000320(H)		Brass	Ni plated
4	DG308-Screws	S000000500(H)		Steel	Cr ³⁺ Zn
2	DG308-Pin header	4024B00010(H)		Brass	SnCe

DETAILED LISTS	MM (INCH)	DT TO TONGXC	DATE 03/03/04*
TOLERANCES EXCEPT AS NOTED		CHKD	DATE
		MFO	DATE
		APPVL	DATE
		MATERIAL :	
		G.E. :	
		FINISH :	
		SCALE : 1:1	
		DO NOT SCALE DRAWING	SHEET 1 OF 1

ITEM	NAME OF PART	NO. OF PART	Q'TY	MATERIAL	NOTES
4	DG308-Screws	S000000500(H)		Steel	Cr ³⁺ Zn
3	DG308-Cage	X000000320(H)		Brass	Ni plated
2	DG308-Pin header	4024B00010(H)		Brass	SnCe

H
G
F
E
D
C
B
A