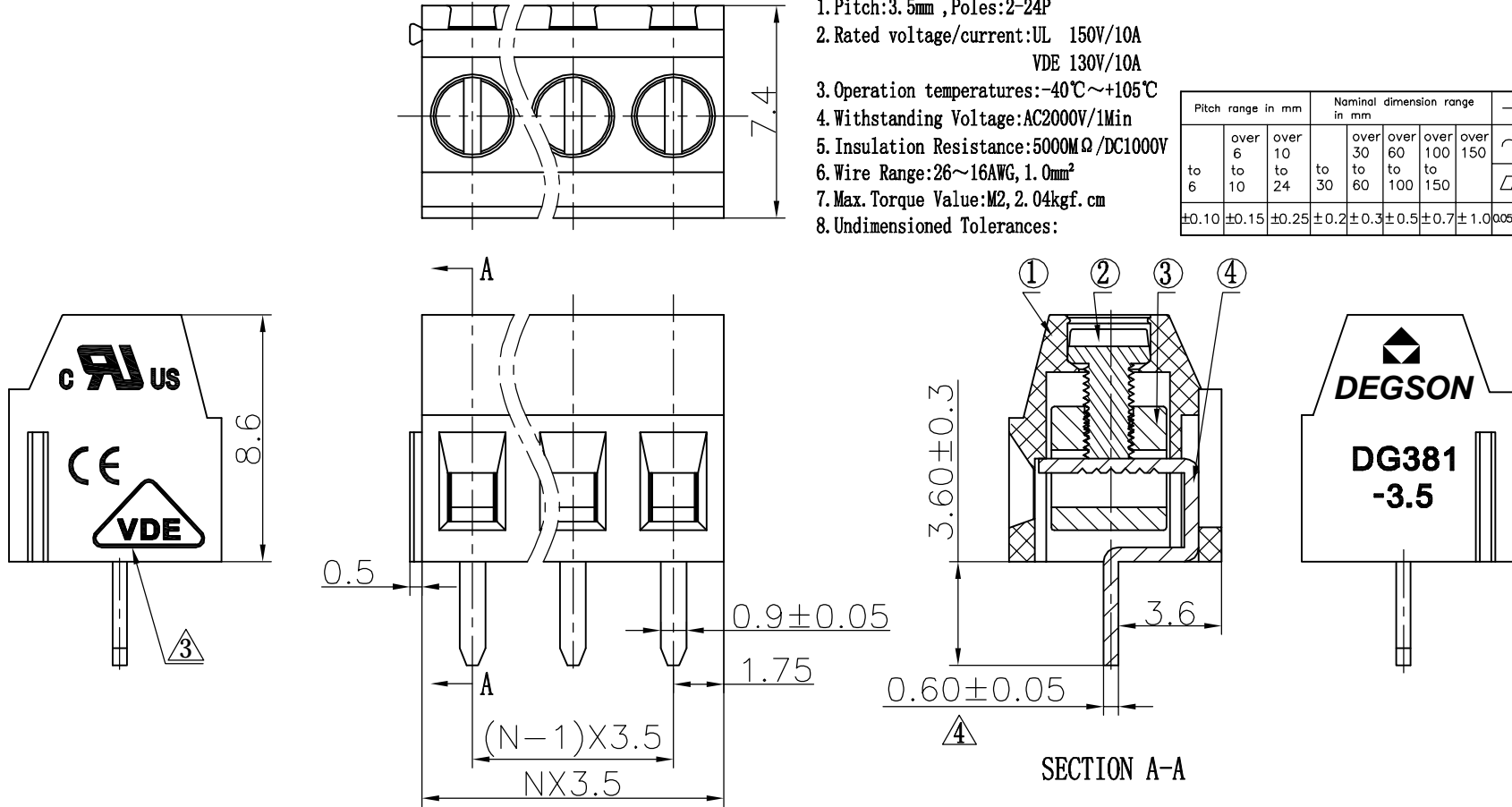


REVISION RECORD				
REV	ECO	DESCRIPTION	DRFT	DATE
△		Drawing Revise	Haoyh	06/27/06
△		??VDE?CE??	LJH	11/12/07
△		修改焊脚厚度尺寸	LJH	05/17/08

Notes:

1. Pitch:3.5mm , Poles:2-24P
2. Rated voltage/current:UL 150V/10A  
VDE 130V/10A
3. Operation temperatures:-40℃~+105℃
4. Withstanding Voltage:AC2000V/1Min
5. Insulation Resistance:5000MΩ /DC1000V
6. Wire Range:26~16AWG, 1.0mm<sup>2</sup>
7. Max. Torque Value:M2, 2.04kgf.cm
8. Undimensioned Tolerances:

Pitch range in mm		Nominal dimension range in mm				
to 6	over 6 to 10	over 10 to 24	over 30 to 60	over 60 to 100	over 100 to 150	
±0.10	±0.15	±0.25	±0.2	±0.3	±0.5	±0.7 ± 1.0
						0.05/10



ITEM	NAME OF PART	NO. OF PART	Q'TY	MATERIAL	NOTES
1	DG381-3.5-Housing	4032A0YXXA (H)	1	PA66	UL94V-0

DETACHED LISTS	MM (INCH)	DFTO Haoyh	DATE 05/16/05
	TOLERANCES EXCEPT AS NOTED	CHKD	DATE
		MFO	DATE
		APPVL	DATE
	MM		
	.0 ±	±	
	.00 ±	±	
	.000 ±	±	
	ANGLES ± 1°	G.E. :	
	THIRD ANGLE PROJECTION	FINISH :	
		SCALE :	

NAME		DG381-3.5-XXP-1Y-00A(H)	
DRAWING NO.		DC381-3.5-E02	SIZE A3
/PART NO.			REV T4 05/17/08
DO NOT SCALE DRAWING		SHEET 1	OF 1

4	DG381 Pin header	4047B00010 (H)	XX	Phosphor bronze	SnCe
3	DG381 Cage	X000000300 (H)	XX	Brass	Ni plated
2	DG381 Screws	S000001440 (H)	XX	Steel	Cr <sup>3+</sup> Zn