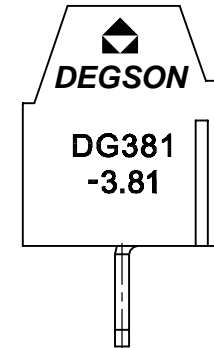
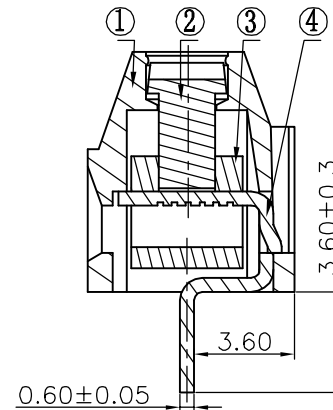
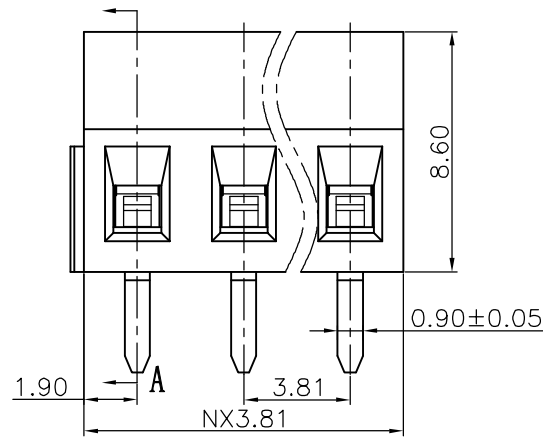
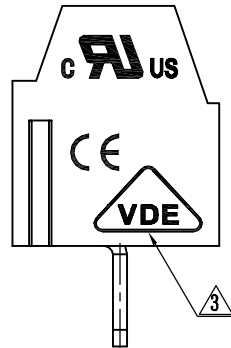
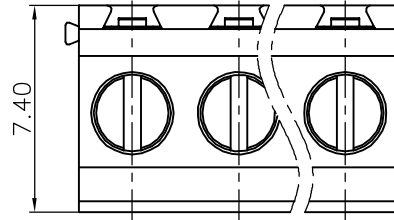


REVISION RECORD				
REV	ECO	DESCRIPTION	DRFT	DATE
△		Drawing Revise	Haoyh	05/12/06
△		增加VDE、CE标志	LJH	11/13/07

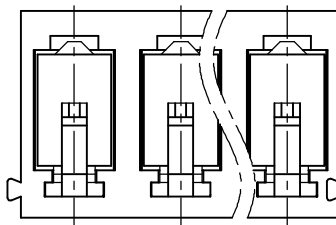
Notes:

1. Pitch:3.81mm , Poles:2-XXP
2. Rated voltage/current:UL 300V/10A
VDE 130V/10A
3. Operation temperatures:-40℃~+105℃
4. Withstanding Voltage:AC2000V/1Min
5. Insulation Resistance:5000MΩ/DC1000V
6. Wire Range:16~26AWG, 1.0mm²
7. Max. Torque Value:M2, 2.04kgf.cm
8. Undimensioned Tolerances:

Pitch range in mm			Nominal dimension range in mm				
to	over	over	to	over	over	over	
6	6 to 10	10 to 24	30	30 to 60	60 to 100	100 to 150	150
±0.10	±0.15	±0.25	±0.2	±0.3	±0.5	±0.7	±1.0
							0.05/10



SECTION A-A



4	DG381 Pin header	4047B00010 (H)	XX	Phosphor bronze	SnCe
3	DG381 Cage	X000000300 (H)	XX	Brass	Ni plated
2	DG381 Screw	△S000001440 (H)	XX	Steel	Cr ³⁺ Zn

ITEM	NAME OF PART	NO. OF PART	Q'TY	MATERIAL	NOTES
1	DG381-3.81-Housing	4047A0YXXA (H)	1	PA66	UL94V-0

DFTO ZHUWM DATE 02/17/05 CHKD DATE MFO DATE APPVL DATE MATERIAL : G.E : FINISH : SCALE : 1:1	宁波高正电子有限公司 DEGSON® DEGSON ELECTRONICS CO., LTD NAME DG381-3.81-XXP-1Y-00A(H) DRAWING NO. DG381-3.81-E02 /PART NO. DO NOT SCALE DRAWING	SIZE A3 REV T3 11/13/07
---	---	-------------------------------------