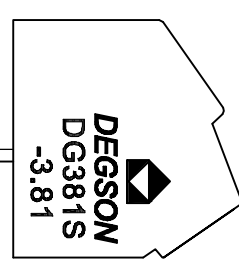
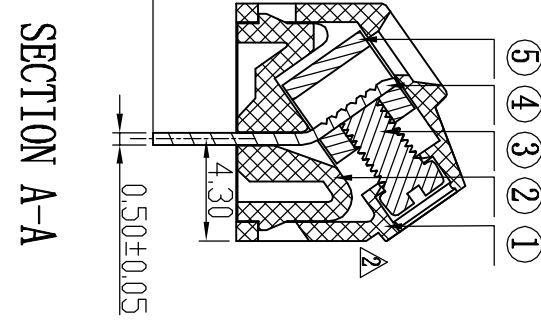
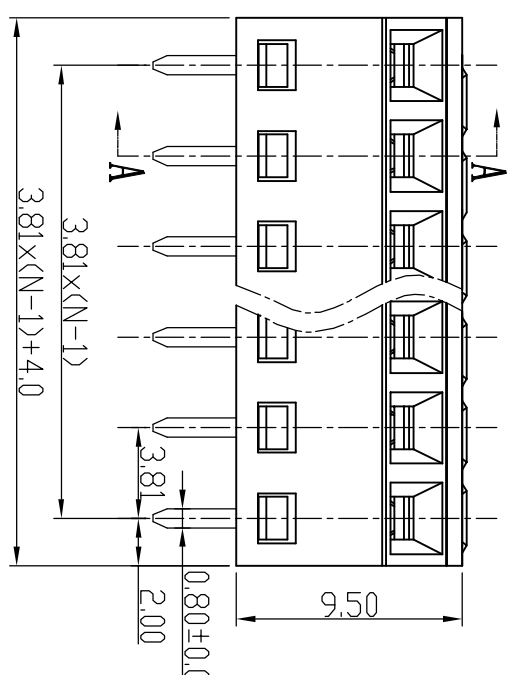
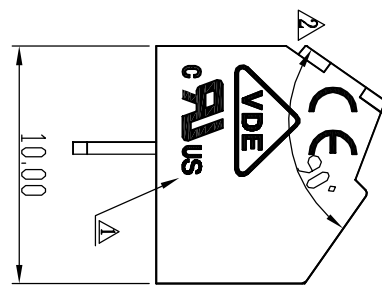
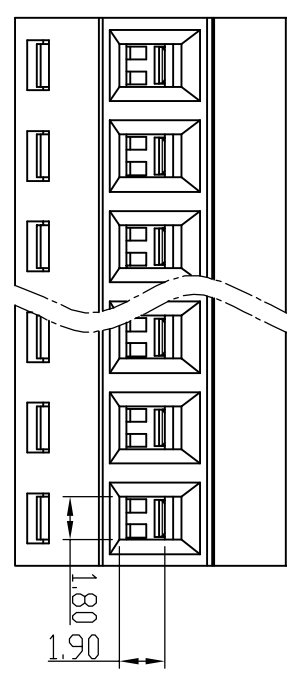
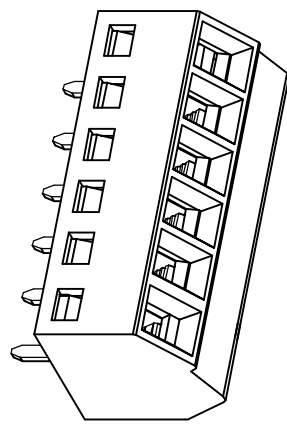


REVISION RECORD			
REV	ECN	DESCRIPTION	DRET DATE
Δ	10-0152	增加刻字	Lasting23/05/10
Δ	10-0296	建有利修改外观	Pengm 08/30/10



- Notes:
1. Pitch: 3.81mm, Poles: 2-12P
 2. Rated voltage/current: UL 300V/10A
VDE 130V/10A
 3. Operation temperatures: -40°C ~ +105°C
 4. Withstanding Voltage: AC2000V/1Min
 5. Insulation Resistance: 5000MΩ / DC1000V
 6. Wire Range: 26~16AWG, 1.0mm²
 7. Max. Torque Value: M2, 2.04kgf·cm
 8. Undimensioned Tolerances:

Pitch range in mm	Nominal dimension range in mm	over	over	over	over	over	over
6	10	to	30	60	100	150	—
to 10	to 24	to 30	to 60	to 100	to 150	□	—
±0.10	±0.15	±0.25	±0.2	±0.3	±0.5	±0.7	±1.0 (0.05/10)

5	DC381 Cage	X000000300 (H)	XX	Brass	Ni plated
4	DC381S-3.5 Pin header	4147B00010 (H)	XX	Copper	SnCo
3	DC381 Screws	S000001440 (H)	XX	Steel	Cr ³⁺ Zn
2	DC381S-3.81 Cover	4148COYXXA (H)	1	PA66	UL94V-0

ITEM	NAME OF PART	NO. OF PART	QTY	MATERIAL	NOTES
1	DC381S-3.81 Housing	4148A0YXXA (H)	1	PA66	UL94V-0

DETACHED LISTS															
<table border="1"> <tr> <td>ANGLE: ± 1'</td> <td>G.E. :</td> </tr> <tr> <td>FINISH:</td> <td></td> </tr> </table>	ANGLE: ± 1'	G.E. :	FINISH:		<table border="1"> <tr> <td>DATE</td> <td>10/24/08</td> </tr> <tr> <td>DATE</td> <td></td> </tr> <tr> <td>DATE</td> <td></td> </tr> </table>	DATE	10/24/08	DATE		DATE					
ANGLE: ± 1'	G.E. :														
FINISH:															
DATE	10/24/08														
DATE															
DATE															
<table border="1"> <tr> <td>NAME</td> <td>DC381S-3.81-XXP-1Y-00A(H)</td> </tr> <tr> <td>DRAWING NO.</td> <td>DG381S-3.81-E01</td> </tr> <tr> <td>PART NO.</td> <td></td> </tr> <tr> <td>DD NOT SCALE DRAWING</td> <td></td> </tr> </table>	NAME	DC381S-3.81-XXP-1Y-00A(H)	DRAWING NO.	DG381S-3.81-E01	PART NO.		DD NOT SCALE DRAWING		<table border="1"> <tr> <td>SIZE</td> <td>REV</td> </tr> <tr> <td>A3</td> <td>12</td> </tr> <tr> <td></td> <td>10/30/08</td> </tr> </table>	SIZE	REV	A3	12		10/30/08
NAME	DC381S-3.81-XXP-1Y-00A(H)														
DRAWING NO.	DG381S-3.81-E01														
PART NO.															
DD NOT SCALE DRAWING															
SIZE	REV														
A3	12														
	10/30/08														

8 7 6 5 4 3 2 1