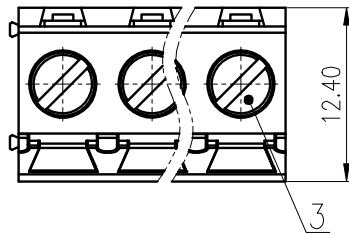
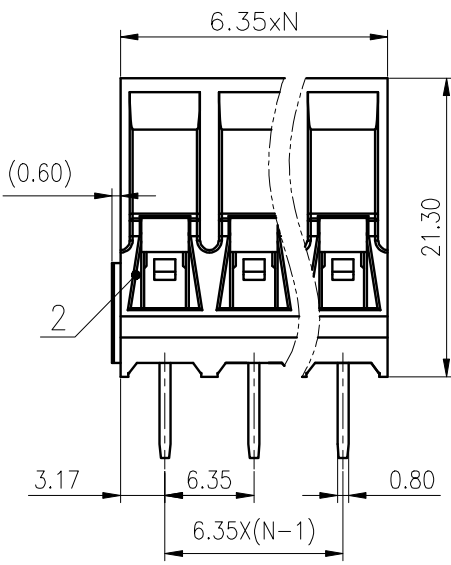
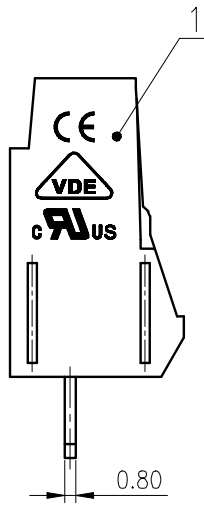


未注公差/General tolerances(mm)												0.1/10	
0	>3	>6	>10	>18	>30	>50	>80	>120	>180	>250	>315		>400
~3	~6	~10	~18	~30	~50	~80	~120	~180	~250	~315	~400	~500	~2.50
±0.12	±0.18	±0.22	±0.26	±0.31	±0.37	±0.57	±0.80	±0.93	±1.05	±1.15	±1.60	±2.20	±2.50

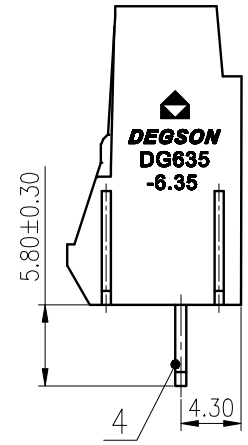
A



B

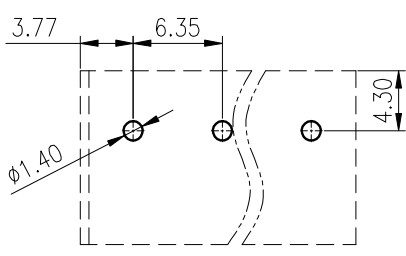


C



D

PCB LAYOUT



4	Pin Header	Copper	Sn Plated
3	Screw	Steel	M3/Zn Plated
2	Cage	Copper Alloy	M3/Ni Plated
1	Housing	PA66	UL94V-0

ITEM	NAME OF PART	MATERIAL	NOTES
UL 标准/UL Standard:			
额定电压/电压/Rated Voltage(V)/Current(A)		B	C D
		300/30	/ 300/10
IEC 标准/IEC Standard:			
额定电压/电压/Rated Voltage(V)/Current(A)			450/32
工频耐压/Withstanding Voltage(V/1MIN)			AC2500
螺丝扭矩/Torque Tightening(N·m/Lb.in)			M3, 0.5/4.43
线径范围(硬线和软线)/Wire Range(rigid and flexible)(mm <sup>2</sup> /AWG)			1.5~4/26~10
间距/Pitch(mm)/线数范围/Poles			6.35/N=02~24P
剥线长度/Stripping length(mm)			7~8
使用温度范围/Operating temperature(°C)			-40~+105
符合RoHS环保要求/Conform to RoHS			Yes

MATERIAL: /	SURFACE: /		
MAT NO.: /	<b>宁波高松电子有限公司</b> <b>NINGBO DEGSON ELECTRICAL CO., LTD</b>		
STATUS: /			
APPD: Lan ChH 2020.05.16	NAME: <b>DG635-6.35-XXP-1Y-00A(H)</b>		
CHKD: Yu JZh 2020.05.16	DRAWING NO.: 10002021		
DRFT: CenK 2020.05.16	REV	TO	
④	TYPE: CUSTOMER DRAWING	SCALE: 2:1	SHEET 1/1

REV	ECN	DESCRIPTION	DRFT	DATE