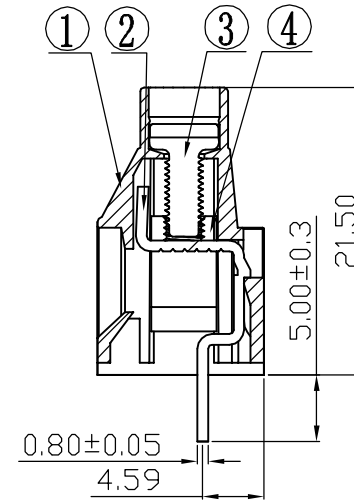
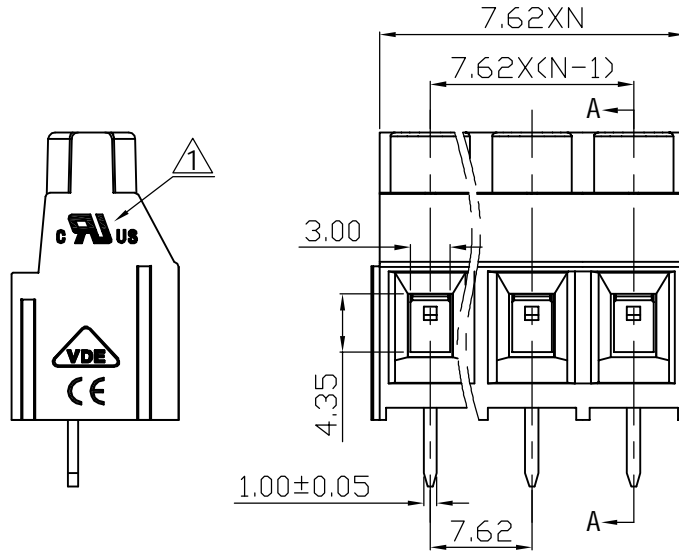
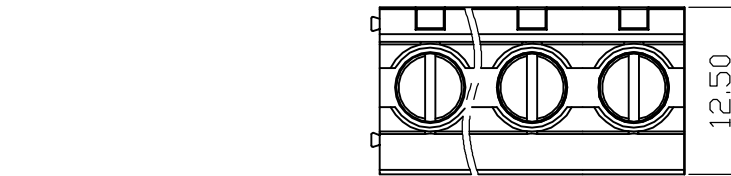


REVISION RECORD				
REV	ECN	DESCRIPTION	DRFT	DATE
△	10-0249	增加UL刻字	Yi . Zeng	08/05/10'

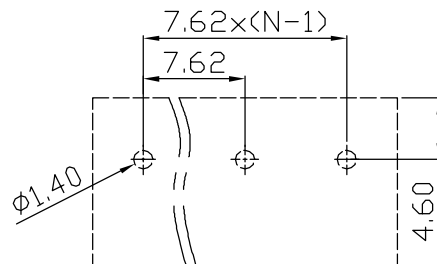
Notes:

1. Pitch: 7.62mm , Poles: 2-XXP
2. Rated voltage/current: UL 300V/30A  
VDE 630V/32A
3. Operation temperatures: -40°C ~ +105°C
4. Withstanding Voltage: AC2500V/1min
5. Insulation Resistance: 5000MΩ /DC1000V
6. Wire Range: 26AWG, 0.2~4.0mm<sup>2</sup>
7. Max. Torque Value: M3, 5.1kgf.cm
8. Undimentioned Tolerances:

Pitch range in mm		Nominal dimension range in mm				
to 6	over 6 to 10	over 10 to 24	over 30 to 60	over 60 to 100	over 100 to 150	
±0.10	±0.15	±0.25	±0.2±0.3	±0.5±0.7	±1.0	0.05/10



SECTION A-A



4	DG950-Brass cage	X000000310(H)	XX	Brass	Ni plated
3	DG636"—"Screws	S000001590(H)	XX	Steel	Cr <sup>3+</sup> Zn

2	DG636-Pin header	4044B00010(H)	XX	Brass	SnCe
1	DG636-7.62 Housing	4149A0YXXA(H)	1	PA66	UL94V-0
ITEM	NAME OF PART	NO. OF PART	Q'TY	MATERIAL	NOTES
TOLERANCES EXCEPT AS NOTED		MM	±		
DETACHED LISTS		ANGLES ± 1°			
THIRD ANGLE PROJECTION		SCALE : 1:1	DO NOT SCALE DRAWING		
DEGSON® 宁波高正电子有限公司 DEGSON ELECTRONICS CO., LTD NAME: DG636-7.62-XXP-1Y-00A(H) DRAWING NO. DG636-7.62-E01 /PART NO.			SIZE A4	REV T1	08/05/10'
				SHEET 1	OF 1