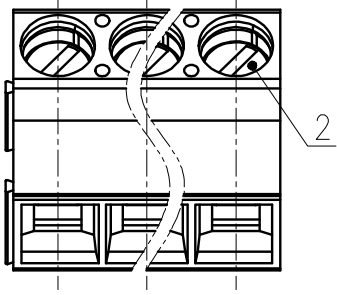
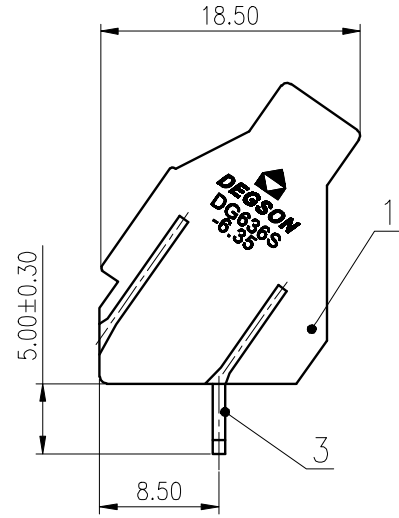
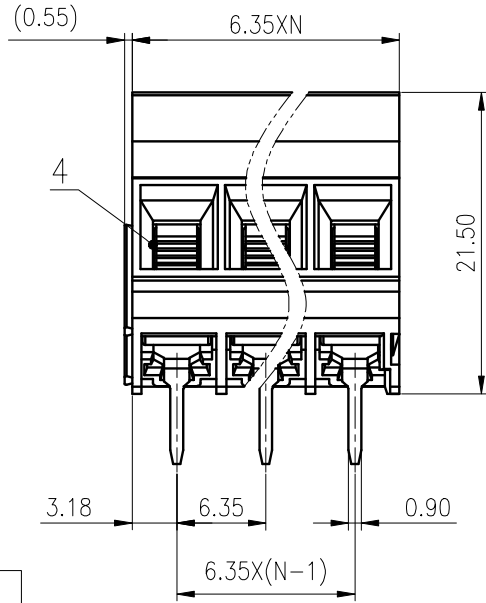
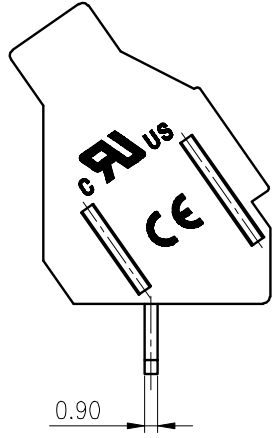


未注公差/General tolerances(mm)											0.1/10 ±2'		
0	>3	>6	>10	>18	>30	>50	>80	>120	>180	>250		>315	>400
~3	~6	~10	~18	~30	~50	~80	~120	~180	~250	~315	~400	~500	~2.50
±0.12	±0.18	±0.22	±0.26	±0.31	±0.37	±0.57	±0.80	±0.93	±1.05	±1.15	±1.60	±2.20	±2.50

A



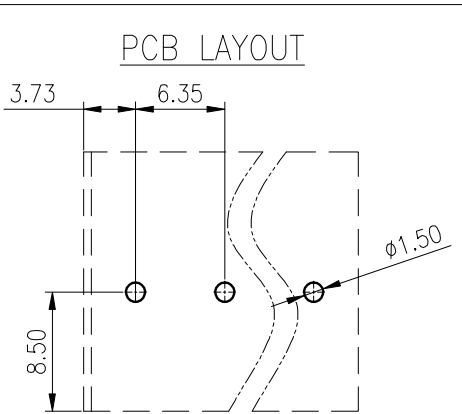
B



C

ITEM	NAME OF PART	MATERIAL	NOTES
4	Cage	Copper Alloy	M3.5/Ni Plated
3	Pin Header	Copper	Sn Plated
2	Screw	Steel	M3.5/Zn Plated
1	Housing	PA66	UL94V-0

D



UL 标准/UL Standard:	B	C	D
额定电压/电流/Rated Voltage(V)/Current(A)	300/30	/	300/10
IEC 标准/IEC Standard:			
过压类别/Overvoltage Category/污染等级/Pollution Degree	II/2	III/2	III/3
额定电压/电流/Rated Voltage(V)/Current(A)	1000/32	630/32	500/32
额定脉冲电压(kV)/Rate Impulse Voltage(kV)	6.0		
螺丝扭矩/Torque Tightening(N·m/Lb.in)	M3.5: 0.2P:0.57/5.0, ≥0.3P:0.8/7.02		
线径范围(硬线和软线)/Wire Range(rigid and flexible)(mm ² /AWG)	0.2~4/6(sol)/30~10		
间距/Pitch(mm)/线数范围/Poles	6.35/N=02~24P		
剥线长度/Stripping length(mm)	8~9		
使用温度范围/Operating temperature(°C)	-40~+105		
符合RoHS环保要求/Conform to RoHS	Yes		

MATERIAL:	/
MAT NO.:	/
STATUS:	/
APPD:	Lan ChH 2020.05.16
CHKD:	Yu JZh 2020.05.16
DRFT:	BYH 2018.07.04

DEGSON® NINGBO DEGSON ELECTRICAL CO., LTD

NAME: **DG636S-6.35-XXP-1Y-00A(H)**

DRAWING NO.: DG636S-6.35-C01 REV: T1

TYPE: CUSTOMER DRAWING SCALE: 2:1 SHEET: 1/1

REV	ECN	DESCRIPTION	DRFT	DATE



SIZE: A4	TYPE: CUSTOMER DRAWING	SCALE: 2:1	SHEET: 1/1
----------	------------------------	------------	------------