

REVISION RECORD

REV	ECN	DESCRIPTION	DRFT	DATE
-----	-----	-------------	------	------

NOTES1:

UL Standard

1. Rated voltage/current : 600V / 15A
2. Withstanding voltage : AC2200V/1Min.
3. Wire range : 28~14AWG

IEC Standard

1. Pollution degree	3
Overvoltage category	III
Rate impulse voltage(KV)	8KV
Rate voltage(V)	800V
Rate current(A)	24A

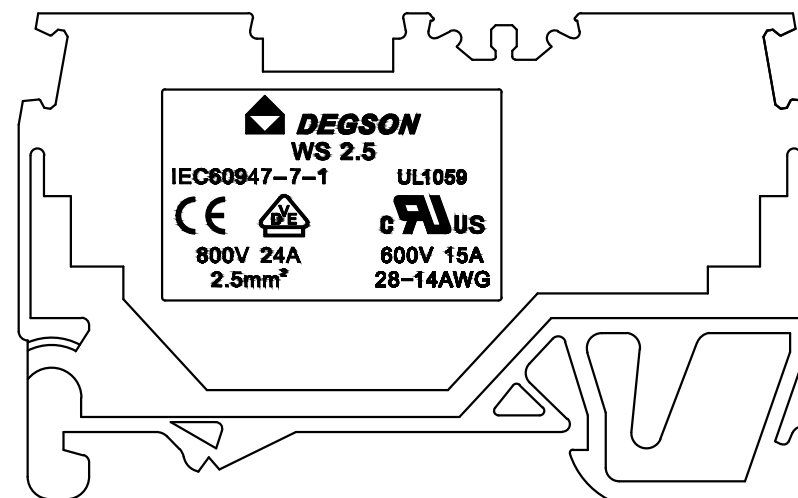
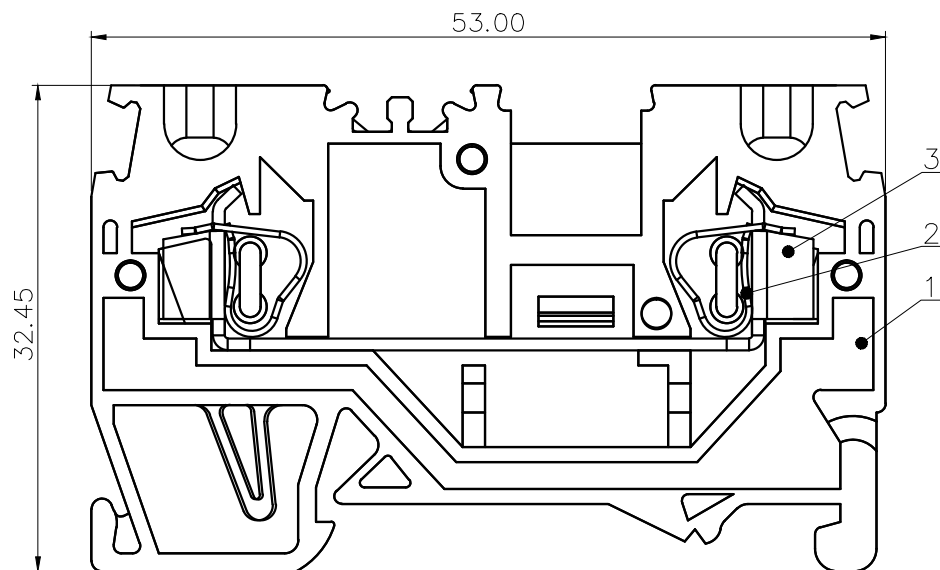
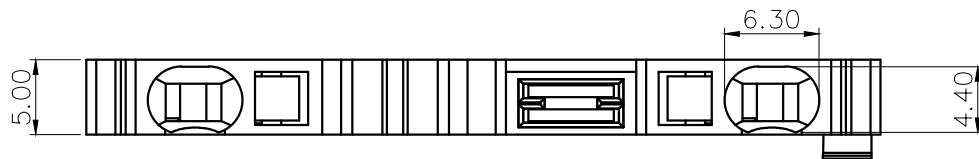
2. Wire range : 0.2~2.5mm²

NOTES2:

1. Pitch : 5.00mm, Poles : 01P
2. Stripping length : 8~9mm
3. Operating temperature: -40°C~+105°C
4. Undimensioned tolerances:

Pitch range in mm	Nominal dimension range in mm						- / 0 / +		
	Over 6 TO 10	Over 10 TO 24	Over 30 TO 60	Over 60 TO 100	Over 100 TO 150	Over 150			
TO 6	±0.15	±0.20	±0.30	±0.30	±0.50	±0.70	±1.00	±1.30	±2'

5. RoHS Compliance



DEGSON
WS 2.5
 IEC60947-7-1 UL1059
 CE TPE CULUS
 800V 24A 600V 15A
 2.5mm² 28-14AWG

3	Current Carrier	Copper	Sn Plated
2	Spring	Stainless Steel	
1	Housing	PA66	UL94V-0
ITEM	NAME OF PART	MATERIAL	NOTES

DETACHED LISTS	PART NO.:	/			
	APPD: Li GL 2020.05.30	NAME: DEGSON NINGBO DEGSON ELECTRICAL CO., LTD			
	CHKD: Mao J 2020.05.30	WS 2.5-01P-1Y-127A(H)			
	DRFT: ChenK 2020.05.30	TITLE: CUSTOMER DRAWING	REV	TO	
		DRAWING NO.: WS2.5-C21	SHEET	1/1	
	THIRD ANGLE PROJECTION	DRAWING NO.:	WS2.5-C21	SHEET	1/1
		DO NOT SCALE DRAWING	SCALE	1:1	

H
G
F
E
D
C
B
A

H
G
F
E
D
C
B
A