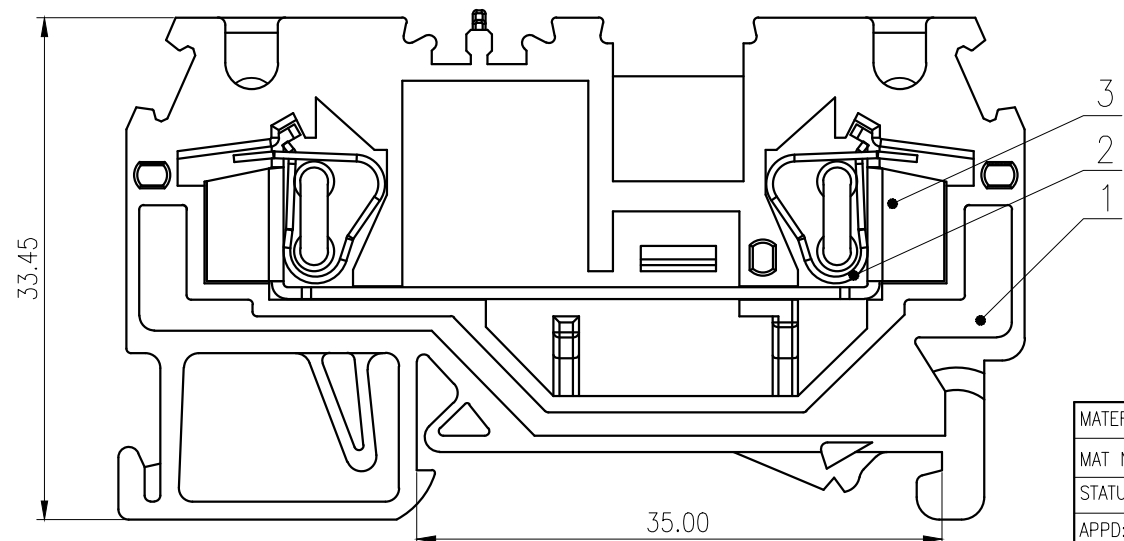
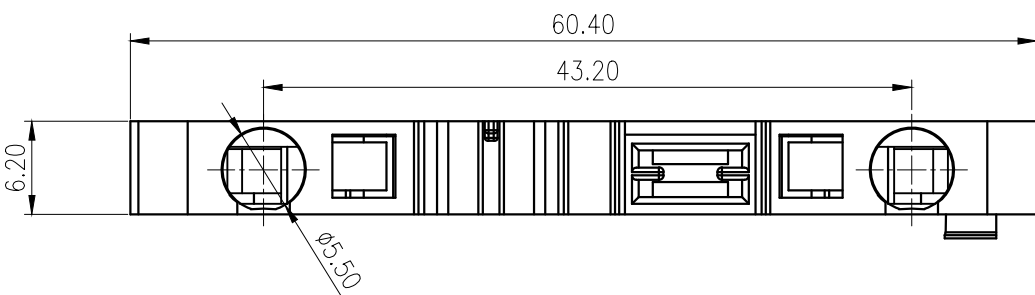
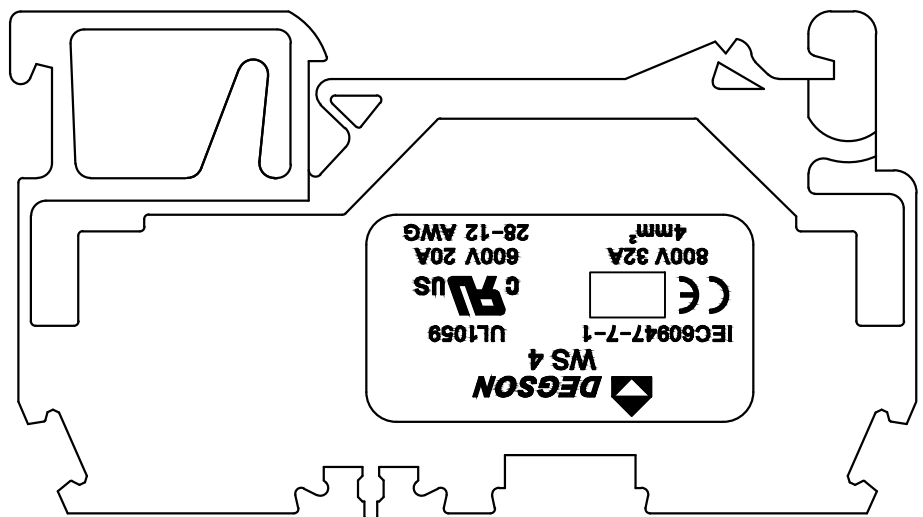


未注公差/General tolerances(mm)													0.1/10	
0	>3	>6	>10	>18	>30	>50	>80	>120	>180	>250	>315	>400		
~3	~6	~10	~18	~30	~50	~80	~120	~180	~250	~315	~400	~500	>500	
±0.12	±0.18	±0.22	±0.26	±0.31	±0.37	±0.57	±0.80	±0.93	±1.05	±1.15	±1.60	±2.20	±2.50	±2'



3	Current carrier	Copper	Sn Plated	
2	Spring	Stainless steel		
1	Housing	PA66	UL94V-0	
ITEM	NAME OF PART	MATERIAL	NOTES	
UL 标准/UL Standard:		B	C	D
额定电压/电流/Rated Voltage(V)/Current(A)		600/20	600/20	600/5
IEC 标准/IEC Standard:				
过压类别/Overvoltage Category/污染等级/Pollution Degree		III/3	/	/
额定电压/电流/Rated Voltage(V)/Current(A)		800/32	/	/
额定脉冲电压(KV)/Rate Impulse Voltage(KV)		8	/	/
线径范围(硬线和软线)/Wire Range(rigid and flexible)(mm²/AWG)		0.2~4.0/28~12		
间距/Pitch(mm)		6.2		
剥线长度/Stripping length(mm)		10~11		
使用温度范围/Operating temperature(°C)		-40~+105		
符合RoHS环保要求/Conform to RoHS		Yes		

MATERIAL: /	SURFACE: /		
MAT NO.: /	宁波高松电子有限公司 NINGBO DEGSON ELECTRICAL CO., LTD		
STATUS: /			
APPD: Li GL 2020.05.29	NAME: WS4-01P-1Y-100A(H)		
CHKD: Mao J 2020.05.29	DRAWING NO.: WS4-C10		
DRFT: LuoXM 2020.03.23	REV	TO	
⊕	SIZE: A4	SCALE: 2:1	SHEET 1/1

REV	ECN	DESCRIPTION	DRFT	DATE